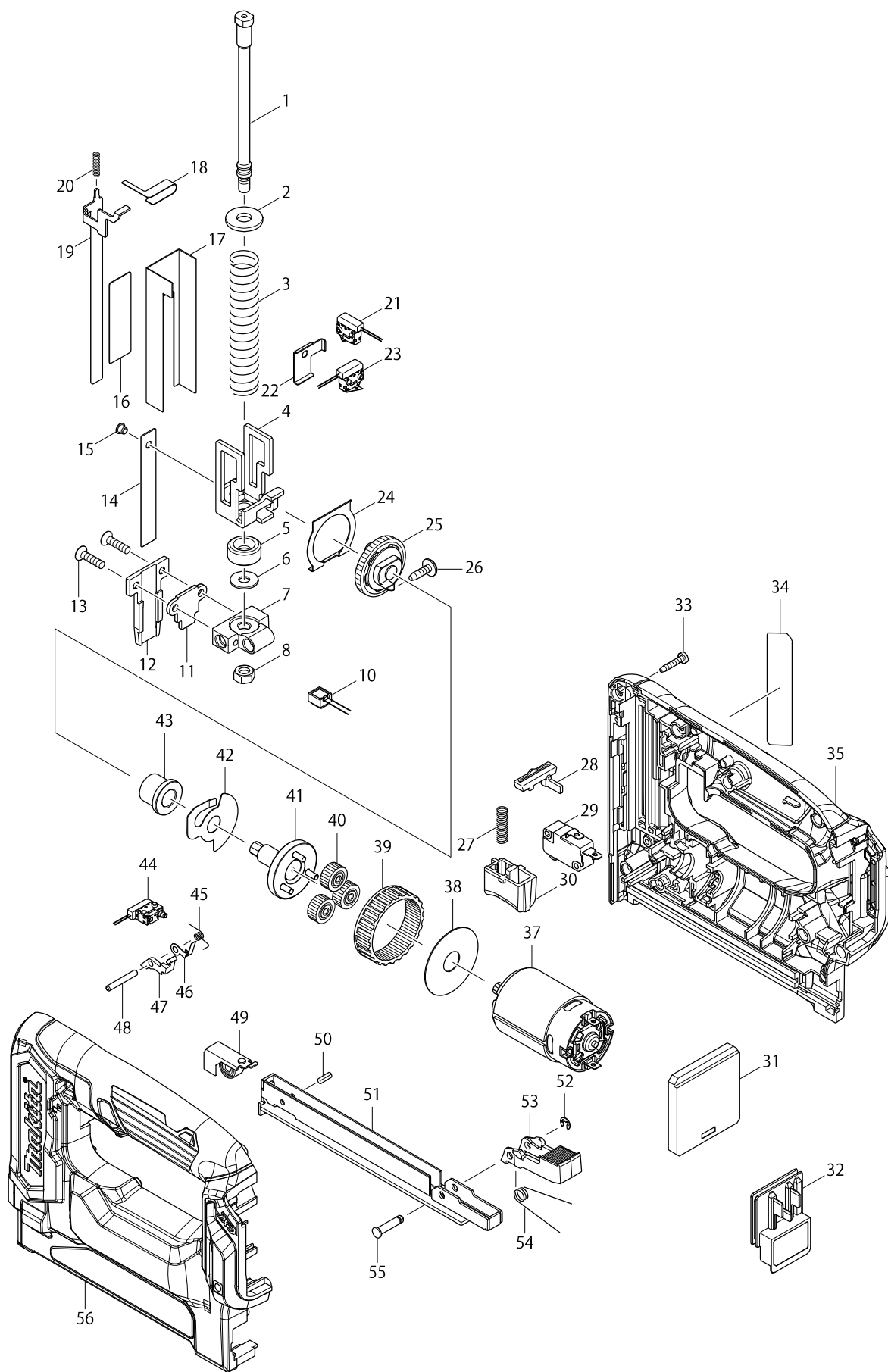


model ST113D CORDLESS STAPLER



model ST113D CORDLESS STAPLER

pagina 1 / 3

cod	cod piesa	descriere	inters	cantitat	N/O	optiunea 1	optiunea 2	nota
001	326731-6	GUIDE BOLT		1				
002	253762-1	SAIBA PLATA 8		1				
003	232297-5	COMPRESSION SPRING 13		1				
004	347023-0	HAMMER		1				
005	424099-5	CUSHION		1				
006	253804-1	SAIBA PLATA 6		1				
007	319425-0	HOLDER		1	*			
007-1	319425-0	HOLDER	O	1				
008	931302-2	PIULITA HEXAGONALA M6		1				
010	620507-6	LED CIRCUIT		1				
011	347037-9	SET PLATE		1				
012	326738-2	DRIVER GUIDE		1				
013	251487-1	H.SOCKET C.S.HEAD SCREW M4X16		2				
014	347034-5	DRIVER		1				
015	256318-9	FLAT FILLISTER HD. PIN 4		1				
016	347038-7	UPPER PLATE		1				
017	347036-1	GUIDE PLATE		1				
018	232300-2	LEAF SPRING		1				
019	347042-6	CONTACT ARM		1	*			
019-1	347316-5	CONTACT ARM	<	1				
020	232337-9	COMPRESSION SPRING 3		1				
021	632G60-2	SWITCH UNIT		1				
022	347121-0	SLIDE PLATE		1				
023	632G61-0	SWITCH UNIT		1				
024	347040-0	GEAR PLATE		1				
025	143770-9	SPUR GEAR 43 COMPLETE		1				
026	266901-4	TAPPING SCREW 4X14		1				
027	232299-1	COMPRESSION SPRING 5		1				
028	456799-9	TRIGGER LOCK		1				
029	632J09-0	SWITCH UNIT		1	*			
029-1	632M82-8	SWITCH UNIT	<	1				
030	457303-7	TRIGGER		1				
031	620598-7	CONTROLLER		1				
032	644813-5	TERMINAL		1				
033	266130-9	SURUB PT 3X16		10				
034	852U41-6	ST113D NAME PLATE		1				
035	183F23-0	HOUSING SET		1				
C10	263002-9	STIFT CAUCIUC 4		2				
C20	252126-6	HEX. LOCKING NUT M4-7 MT081		2				
D10		INC. 56						
037	629240-7	DC MOTOR		1				
038	267053-4	FLAT WASHER 12		1				
039	227166-3	INTERNAL GEAR 69		1				
040	221961-3	ROATA DINTATA 27 4601DW 4601DW		3				
041	143777-5	SPUR GEAR 7 COMPLETE		1				
042	345773-1	ANTI BACK PLATE		1				
043	214059-3	PLANE BEARING 10		1				
044	632G60-2	SWITCH UNIT		1				

model ST113D CORDLESS STAPLER

pagina 2 / 3

cod	cod piesa	descriere	inters	cantitat	N/O	optiunea 1	optiunea 2	nota
045	232298-3	TORTION SPRING 3		1				
046	347041-8	SLIP PLATE		1				
047	456796-5	SWITCH PLATE		1				
048	256221-4	STIFT 3		1				
049	143780-6	SPIRAL SPRING COMPLETE		1				
050	951051-5	SPRING PIN 3-8		1				
051	161467-8	SUB MAGAZINE		1				
052	961017-7	INEL BLOCARE E-3		1				
053	456798-1	LEVER		1				
054	232301-0	TORSION SPRING 7		1				
055	268029-4	PIN 4		1				
056	183F23-0	HOUSING SET		1				
C10	263002-9	STIFT CAUCIUC 4		2				
C20	252126-6	HEX. LOCKING NUT M4-7 MT081		2				
D10		INC. 35						
A01	195246-2	OCHELARI PROTECTIE AN901		1				
A02	266622-8	SURUB M4X12 BFS451		1	*			
A02-1	251314-2	SURUB M4X12	O	1				
A03	346909-5	HOOK		1				
A04B	821549-5	CONNECTOR PLASTIC CASE (TYPE1)		1				
C10	453974-8	OPRITOR BDF446RFE		4				
A04C	821549-5	CONNECTOR PLASTIC CASE (TYPE1)		1				
C10	453974-8	OPRITOR BDF446RFE		4				
A04D	821549-5	CONNECTOR PLASTIC CASE (TYPE1)		1				
C10	453974-8	OPRITOR BDF446RFE		4				
A04E	821549-5	CONNECTOR PLASTIC CASE (TYPE1)		1				
C10	453974-8	OPRITOR BDF446RFE		4				
A05B	839019-0	INNER TRAY		1				
A05C	839019-0	INNER TRAY		1				
A05D	839019-0	INNER TRAY		1				
A05E	839019-0	INNER TRAY		1				
A06B	810X08-8	ST113DWAJ INDICATION LABEL		1	*			
A06C	810X11-9	ST113DWMJ INDICATION LABEL		1	*			
A06D	810X14-3	ST113DSAJ INDICATION LABEL		1	*			
A06E	810X16-9	ST113DSMJ INDICATION LABEL		1				
A06-1B	810X07-0	ST113DWAJ INDICATION LABEL	<	1				
A06-1C	810X10-1	ST113DWMJ INDICATION LABEL	<	1				
A06-1D	810X13-5	ST113DSAJ INDICATION LABEL	<	1				
A07B	810X09-6	ST113DWAJ PLASTIC CASE LABEL		2				
A07C	810X12-7	ST113DWMJ PLASTIC CASE LABEL		2				
A07D	810X15-1	ST113DSAJ PLASTIC CASE LABEL		2				
A07E	810X17-7	ST113DSMJ PLASTIC CASE LABEL		2				
A08B	456128-6	BATTERY COVER		1				
A08C	456128-6	BATTERY COVER		1				
A08D	456128-6	BATTERY COVER		1				
A08E	456128-6	BATTERY COVER		1				
A09B	***DC10WC	DC10WC BATTERY CHARGER		1	*			
D10		COMPO-PARTS			*			

model ST113D CORDLESS STAPLER

cod	cod piesa	descriere	inters	cantitat	N/O	optiunea 1	optiunea 2	nota
A09C	***DC10WC	DC10WC BATTERY CHARGER		1	*			
D10		COMPO-PARTS			*			
A09D	***DC10SA	DC10SA BATTERY CHARGER		1	*			
D10		COMPO-PARTS			*			
A09E	***DC10SA	DC10SA BATTERY CHARGER		1	*			
D10		COMPO-PARTS			*			
A09-1B	***DC10WD	DC10WD BATTERY CHARGER	<	1				
D10		COMPO-PARTS						
A09-1C	***DC10WD	DC10WD BATTERY CHARGER	<	1				
D10		COMPO-PARTS						
A09-1D	***DC10SB	DC10SB BATTERY CHARGER	<	1				
D10		COMPO-PARTS						
A09-1E	***DC10SB	DC10SB BATTERY CHARGER	<	1				
D10		COMPO-PARTS						
A10B	197394-3	BATTERY BL1020B SET		2	*			
A10C	197402-0	BATTERY BL1040B SET		2	*			
A10D	197394-3	BATTERY BL1020B SET		2	*			
A10E	197402-0	BATTERY BL1040B SET		2	*			
A10-1B	197396-9	BATTERY BL1021B SET	<	2				
A10-1C	197406-2	BATTERY BL1041B SET	<	2				
A10-1D	197396-9	BATTERY BL1021B SET	<	2				
A10-1E	197406-2	BATTERY BL1041B SET	<	2				