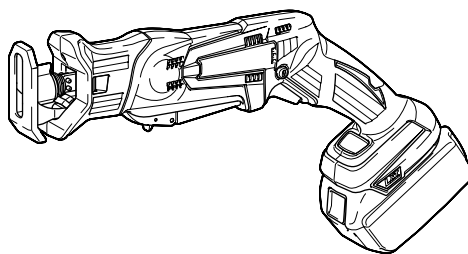
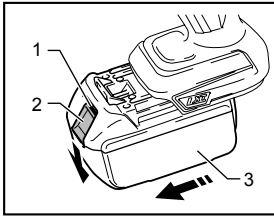




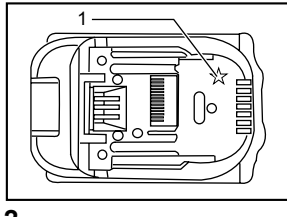
GB	Cordless Recipro Saw	INSTRUCTION MANUAL
SI	Brezžična sabljasta žaga	NAVODILO ZA UPORABO
AL	Sharra reciprokuese me bateri	MANUALI I PËRDORIMIT
BG	Акумулаторен трион	РЪКОВОДСТВО ЗА ЕКСПЛОАТАЦИЯ
HR	Bežična pila lisičji rep	PRIRUČNIK S UPUTAMA
MK	Безжична реципрочна пила	УПАТСТВО ЗА УПОТРЕБА
RO	Ferăstrău alternativ cu acumulator	MANUAL DE INSTRUCȚIUNI
RS	Бежична повратна тестера	УПУТСТВО ЗА УПОТРЕБУ
RUS	Аккумуляторная сабельная пила	РУКОВОДСТВО ПО ЭКСПЛУАТАЦИИ
UA	Бездротова ножівка	ІНСТРУКЦІЯ З ЕКСПЛУАТАЦІЇ

DJR143  
DJR145  
DJR183  
DJR185

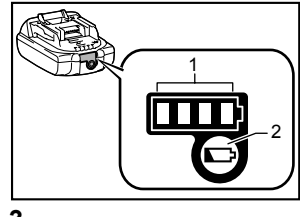




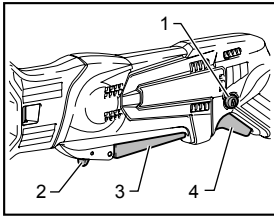
1 014044



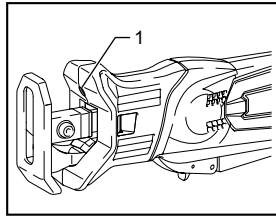
2 012128



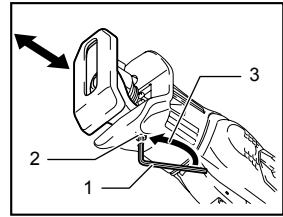
3 015659



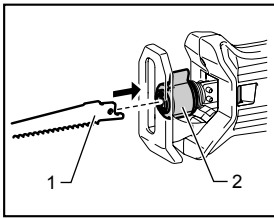
4 014050



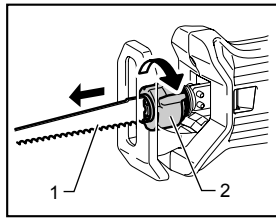
5 014053



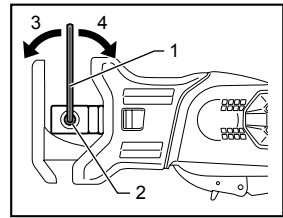
6 014201



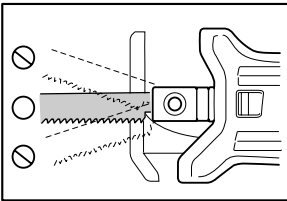
7 014058



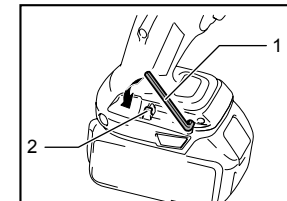
8 014059



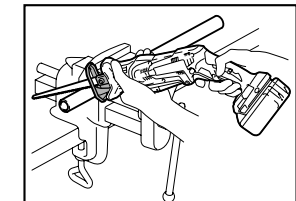
9 014045



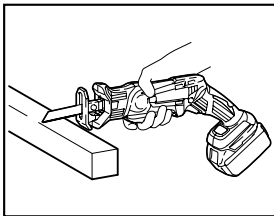
10 014086



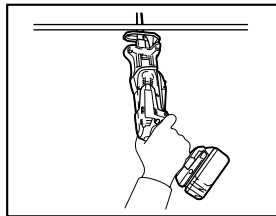
11 014202



12 014054



13 014056



14 014055

## ENGLISH (Original instructions)

### Explanation of general view

1-1. Red indicator	4-3. Switch lever	8-1. Saw blade
1-2. Button	4-4. Switch trigger	8-2. Blade clamp sleeve
1-3. Battery cartridge	5-1. Lamp	9-1. Hex wrench
2-1. Star marking	6-1. Hex wrench	9-2. Bolt
3-1. Indicator lamps	6-2. Hex bolt	9-3. Loosen
3-2. CHECK button	6-3. Loosen	9-4. Tighten
4-1. Lock-off button	7-1. Recipro saw blade	11-1. Hex wrench
4-2. Lock-off lever	7-2. Blade clamp sleeve	11-2. Protrusion

## SPECIFICATIONS

Model	DJR143	DJR145	DJR183	DJR185
Length of stroke	13 mm			
Strokes per minute (min <sup>-1</sup> )	0 - 3,000			
Max. cutting capacities	Pipe	50 mm		
	Wood	50 mm		
Standard battery cartridge	BL1415 / BL1415N / BL1430 / BL1430B / BL1440 / BL1450 / BL1460B		BL1815 / BL1815N / BL1820 / BL1820B / BL1830 / BL1830B / BL1840 / BL1840B / BL1850 / BL1850B / BL1860B	
Overall length	392 mm (with BL1415 / BL1415N)		392 mm (with BL1815 / BL1815N / BL1820 / BL1820B)	
	397 mm (with BL1430 / BL1430B / BL1440 / BL1450 / BL1460B)		398 mm (with BL1830 / BL1830B / BL1840 / BL1840B / BL1850 / BL1850B / BL1860B)	
Net weight	1.5 kg (with BL1415 / BL1415N)		1.5 kg (with BL1815 / BL1815N / BL1820 / BL1820B)	
	1.7 kg (with BL1430 / BL1430B / BL1440 / BL1450 / BL1460B)		1.8 kg (with BL1830 / BL1830B / BL1840 / BL1840B / BL1850 / BL1850B / BL1860B)	
Rated voltage	D.C. 14.4 V		D.C. 18 V	

• Due to our continuing program of research and development, the specifications herein are subject to change without notice.

• Specifications and battery cartridge may differ from country to country.

• Weight, with battery cartridge, according to EPTA-Procedure 01/2003

ENE020-1

ENG900-1

### Intended use

The tool is intended for sawing wood, plastic and ferrous materials.

ENG905-1

### Noise

The typical A-weighted noise level determined according to EN60745:

#### Model DJR143, DJR185

Sound pressure level ( $L_{pA}$ ): 76 dB (A)

Uncertainty (K): 3 dB (A)

The noise level under working may exceed 80 dB (A).

#### Model DJR145, DJR183

Sound pressure level ( $L_{pA}$ ): 77 dB (A)

Uncertainty (K): 3 dB (A)

The noise level under working may exceed 80 dB (A).

### Wear ear protection

### Vibration

The vibration total value (tri-axial vector sum) determined according to EN60745:

#### Model DJR143, DJR145

Work mode : cutting boards

Vibration emission ( $a_{h,B}$ ): 7.0 m/s<sup>2</sup>

Uncertainty (K): 1.5 m/s<sup>2</sup>

Work mode : cutting wooden beams

Vibration emission ( $a_{h,WB}$ ): 7.0 m/s<sup>2</sup>

Uncertainty (K): 1.5 m/s<sup>2</sup>

#### Model DJR183, DJR185

Work mode : cutting boards

Vibration emission ( $a_{h,B}$ ): 8.0 m/s<sup>2</sup>

Uncertainty (K): 1.5 m/s<sup>2</sup>

Work mode : cutting wooden beams

Vibration emission ( $a_{h,WB}$ ) : 7.0 m/s<sup>2</sup>

Uncertainty (K) : 1.5 m/s<sup>2</sup>

ENG901-1

- The declared vibration emission value has been measured in accordance with the standard test method and may be used for comparing one tool with another.
- The declared vibration emission value may also be used in a preliminary assessment of exposure.

#### **⚠WARNING:**

- The vibration emission during actual use of the power tool can differ from the declared emission value depending on the ways in which the tool is used.
- Be sure to identify safety measures to protect the operator that are based on an estimation of exposure in the actual conditions of use (taking account of all parts of the operating cycle such as the times when the tool is switched off and when it is running idle in addition to the trigger time).

ENH101-17

**For European countries only**

#### **EC Declaration of Conformity**

**Makita declares that the following Machine(s):**

Designation of Machine:

Cordless Recipro Saw

Model No./ Type: DJR143, DJR145, DJR183, DJR185

**Conforms to the following European Directives:**

2006/42/EC

They are manufactured in accordance with the following standard or standardized documents:

EN60745

The technical file in accordance with 2006/42/EC is available from:

Makita, Jan-Baptist Vinkstraat 2, 3070, Belgium

31.12.2013



000331

Yasushi Fukaya

Director

Makita, Jan-Baptist Vinkstraat 2, 3070, Belgium

GEA010-1

## **General Power Tool Safety Warnings**

**⚠ WARNING** Read all safety warnings and all instructions. Failure to follow the warnings and instructions may result in electric shock, fire and/or serious injury.

**Save all warnings and instructions for future reference.**

## **CORDLESS RECIPRO SAW SAFETY WARNINGS**

1. **Hold power tool by insulated gripping surfaces, when performing an operation where the cutting accessory may contact hidden wiring.** Cutting accessory contacting a "live" wire may make exposed metal parts of the power tool "live" and could give the operator an electric shock.
2. **Use clamps or another practical way to secure and support the workpiece to a stable platform.** Holding the work by hand or against your body leaves it unstable and may lead to loss of control.
3. **Always use safety glasses or goggles.** Ordinary eye or sun glasses are NOT safety glasses.
4. **Avoid cutting nails.** Inspect workpiece for any nails and remove them before operation.
5. **Do not cut oversize workpiece.**
6. **Check for the proper clearance beyond the workpiece before cutting so that the blade will not strike the floor, workbench, etc.**
7. **Hold the tool firmly.**
8. **Make sure the blade is not contacting the workpiece before the switch is turned on.**
9. **Keep hands away from moving parts.**
10. **Do not leave the tool running.** Operate the tool only when hand-held.
11. **Always switch off and wait for the blade to come to a complete stop before removing the blade from the workpiece.**
12. **Do not touch the blade or the workpiece immediately after operation; they may be extremely hot and could burn your skin.**
13. **Do not operate the tool at no-load unnecessarily.**
14. **Always use the correct dust mask/respirator for the material and application you are working with.**
15. **Some material contains chemicals which may be toxic.** Take caution to prevent dust inhalation and skin contact. Follow material supplier safety data.

## **SAVE THESE INSTRUCTIONS.**

#### **⚠WARNING:**

**DO NOT** let comfort or familiarity with product (gained from repeated use) replace strict adherence to safety rules for the subject product. **MISUSE** or failure to follow the safety rules stated in this instruction manual may cause serious personal injury.

# IMPORTANT SAFETY INSTRUCTIONS

## FOR BATTERY CARTRIDGE

1. Before using battery cartridge, read all instructions and cautionary markings on (1) battery charger, (2) battery, and (3) product using battery.
2. Do not disassemble battery cartridge.
3. If operating time has become excessively shorter, stop operating immediately. It may result in a risk of overheating, possible burns and even an explosion.
4. If electrolyte gets into your eyes, rinse them out with clear water and seek medical attention right away. It may result in loss of your eyesight.
5. Do not short the battery cartridge:
  - (1) Do not touch the terminals with any conductive material.
  - (2) Avoid storing battery cartridge in a container with other metal objects such as nails, coins, etc.
  - (3) Do not expose battery cartridge to water or rain.

A battery short can cause a large current flow, overheating, possible burns and even a breakdown.

6. Do not store the tool and battery cartridge in locations where the temperature may reach or exceed 50 ° C (122 ° F).
7. Do not incinerate the battery cartridge even if it is severely damaged or is completely worn out. The battery cartridge can explode in a fire.
8. Be careful not to drop or strike battery.
9. Do not use a damaged battery.
10. Follow your local regulations relating to disposal of battery.

## SAVE THESE INSTRUCTIONS.

### Tips for maintaining maximum battery life

1. Charge the battery cartridge before completely discharged.  
Always stop tool operation and charge the battery cartridge when you notice less tool power.
2. Never recharge a fully charged battery cartridge.  
Overcharging shortens the battery service life.
3. Charge the battery cartridge with room temperature at 10 ° C - 40 ° C (50 ° F - 104 ° F). Let a hot battery cartridge cool down before charging it.
4. Charge the battery cartridge if you do not use it for a long period (more than six months).

## FUNCTIONAL DESCRIPTION

### ⚠CAUTION:

- Always be sure that the tool is switched off and the battery cartridge is removed before adjusting or checking function on the tool.

### Installing or removing battery cartridge

#### Fig.1

### ⚠CAUTION:

- Always switch off the tool before installing or removing of the battery cartridge.
- **Hold the tool and the battery cartridge firmly when installing or removing battery cartridge.** Failure to hold the tool and the battery cartridge firmly may cause them to slip off your hands and result in damage to the tool and battery cartridge and a personal injury.

To remove the battery cartridge, slide it from the tool while sliding the button on the front of the cartridge.

To install the battery cartridge, align the tongue on the battery cartridge with the groove in the housing and slip it into place. Insert it all the way until it locks in place with a little click. If you can see the red indicator on the upper side of the button, it is not locked completely.

### ⚠CAUTION:

- Always install the battery cartridge fully until the red indicator cannot be seen. If not, it may accidentally fall out of the tool, causing injury to you or someone around you.
- Do not install the battery cartridge forcibly. If the cartridge does not slide in easily, it is not being inserted correctly.

### Battery protection system (Lithium-ion battery with star marking)

#### Fig.2

Lithium-ion batteries with a star marking are equipped with a protection system. This system automatically cuts off power to the tool to extend battery life.

The tool will automatically stop during operation if the tool and/or battery are placed under one of the following conditions:

- Overloaded:  
The tool is operated in a manner that causes it to draw an abnormally high current. In this situation, release the switch lever/trigger on the tool and stop the application that caused the tool to become overloaded. Then pull the switch lever/trigger again to restart.  
If the tool does not start, the battery is overheated. In this situation, let the battery cool before pulling the switch lever/trigger again.

- Low battery voltage:  
The remaining battery capacity is too low and the tool will not operate. In this situation, remove and recharge the battery.

### Indicating the remaining battery capacity

(Only for battery cartridges with "B" at the end of the model number.)

**Fig.3**

Press the check button on the battery cartridge to indicate the remaining battery capacity. The indicator lamps light up for few seconds.

Indicator lamps			Remaining capacity
Lighted	Off	Blinking	
■	□	◐	
■ ■ ■ ■			75% to 100%
■ ■ ■ □			50% to 75%
■ ■ □ □			25% to 50%
■ □ □ □			0% to 25%
◐ □ □ □			Charge the battery.
■ ■ □ □	↑ ↓	■ ■	The battery may have malfunctioned.

015658

#### NOTE:

- Depending on the conditions of use and the ambient temperature, the indication may differ slightly from the actual capacity.

### Switch action

#### ⚠CAUTION:

- Before installing the battery cartridge into the tool, always check to see that the switch lever/trigger actuates properly and returns to the "OFF" position when released.

**Fig.4**

To prevent the switch lever/trigger from accidentally pulled, the lock-off lever/button are provided.

To start the tool, pull either switch lever or trigger.

- For the switch lever, pull the lock-off lever and then pull the switch lever to start the tool.
- For the switch trigger, depress the lock-off button and then pull the switch trigger to start to the tool. The lock-off button can be pressed from either right or left.

The tool speed is increased by increasing pressure on the switch lever/trigger. Release the switch lever/trigger to stop.

#### NOTICE:

Do not pull the switch lever/trigger hard without pulling the lock-off lever/button. This can cause switch breakage.

### Lighting up the front lamp

**Fig.5**

#### ⚠CAUTION:

- Do not look in the light or see the source of light directly.

Pull the switch lever/trigger to light up the lamp. The lamp keeps on lighting while the switch lever/trigger is being pulled.

The lamp automatically turns off 10-15 seconds after releasing the switch lever/trigger.

### Adjusting the shoe

**Fig.6**

When the blade loses its cutting efficiency in one place along its cutting edge, reposition the shoe to utilize a sharp, unused portion of its cutting edge. This will help to lengthen the life of the blade.

To reposition the shoe, loosen the bolt with hex wrench. Slide the shoe to the desired position and then tighten the bolt firmly.

## ASSEMBLY

#### ⚠CAUTION:

- Always be sure that the tool is switched off and the battery cartridge is removed before carrying out any work on the tool.

### Installing or removing the saw blade

#### ⚠CAUTION:

- Always clean out all chips or foreign matter adhering to the blade, blade clamp and/or slider. Failure to do so may cause insufficient tightening of the blade, resulting in a serious injury.

#### For Model DJR143, DJR183

**Fig.7**

Insert the recipro saw blade into the blade clamp as far as it will go. The blade clamp sleeve rotates and fixes the saw blade. Make sure that the saw blade cannot be extracted even though you try to pull it out.

#### ⚠CAUTION:

- If you do not insert the saw blade deep enough, the saw blade may be ejected unexpectedly during operation. This can be extremely dangerous.

#### NOTE:

- You can not use the jig saw blade with DJR143 or DJR183.

**Fig.8**

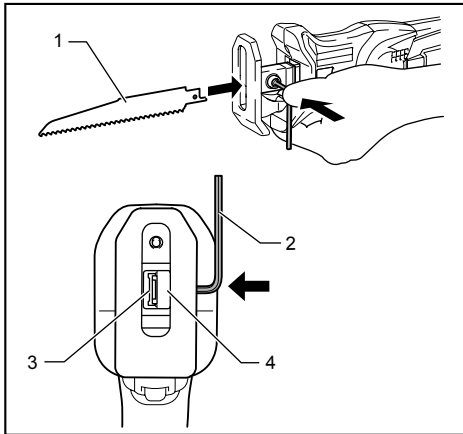
To remove the saw blade, rotate the blade clamp sleeve in the direction of the arrow fully. The saw blade is removed and the blade clamp sleeve is fixed at the released position.

**NOTE:**

- If you remove the saw blade without rotating the blade clamp sleeve fully, the sleeve may not be fixed. In this case, rotate the blade clamp sleeve fully, then make the sleeve fixed at the released position.

**For Model DJR145, DJR185**

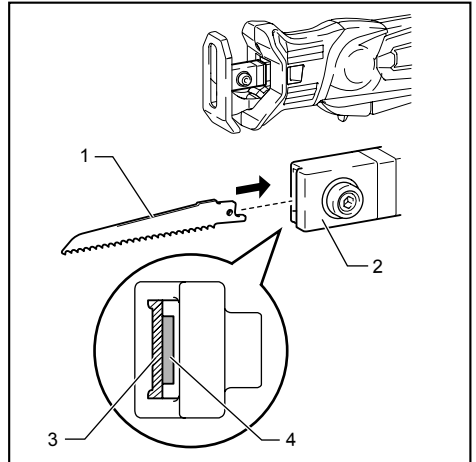
**Fig.9**



1. Recipro saw blade
2. Hex wrench
3. Hole for recipro saw blade
4. Blade clamp

014048

To install the saw blade, loosen the bolt by hex wrench. When installing a reciprocating saw blade, press the bolt with the hex wrench to open the slot during inserting the blade.



1. Saw blade
2. Blade clamp
3. Hole for recipro saw blade
4. Hole for jig saw blade

014047

**Fig.10**

You can use both jig saw blades (B type) and reciprocating saw blades according to your work. Insert the saw blade straight into the blade clamp and tighten it by hex wrench. Pull the saw blade lightly to make sure that the saw blade does not fall off during operation.

To remove the saw blade, follow the installation procedure in reverse.

**Hex wrench storage**

**Fig.11**

When not in use, store the hex wrench as shown in the figure to keep it from being lost.

**OPERATION**

**⚠CAUTION:**

- Always press the shoe firmly against the workpiece during operation. If the shoe is held away from the workpiece during operation, strong vibration and/or twisting will be produced, causing the blade to snap dangerously.
- Always wear gloves to protect your hands from hot flying chips when cutting metal.
- Be sure to always wear suitable eye protection which conforms with current national standards.
- Always use a suitable coolant (cutting oil) when cutting metal. Failure to do so will cause premature blade wear.

**Fig.12**

Press the shoe firmly against the workpiece. Do not allow the tool to bounce. Bring the saw blade into light contact with the workpiece. First, make a pilot groove

using a slower speed. Then use a faster speed to continue cutting.

**Fig.13**

**Fig.14**

- You can use the switch lever or trigger according to your work.

**NOTE:**

- If the tool is operated continuously until the battery cartridge has discharged, allow the tool to rest for 15 minutes before proceeding with a fresh battery.

## **MAINTENANCE**

**⚠CAUTION:**

- Always be sure that the tool is switched off and the battery cartridge is removed before attempting to perform inspection or maintenance.
- Never use gasoline, benzine, thinner, alcohol or the like. Discoloration, deformation or cracks may result.

To maintain product SAFETY and RELIABILITY, repairs, any other maintenance or adjustment should be performed by Makita Authorized Service Centers, always using Makita replacement parts.

## **OPTIONAL ACCESSORIES**

**⚠CAUTION:**

- These accessories or attachments are recommended for use with your Makita tool specified in this manual. The use of any other accessories or attachments might present a risk of injury to persons. Only use accessory or attachment for its stated purpose.

If you need any assistance for more details regarding these accessories, ask your local Makita Service Center.

- Recipro saw blades
- Jig saw blades (only for Model DJR145, DJR185)
- Makita genuine battery and charger

**NOTE:**

- Some items in the list may be included in the tool package as standard accessories. They may differ from country to country.



## SLOVENŠČINA (izvirna navodila)

### Razlaga splošnega pogleda

1-1. Rdeči indikator	4-3. Preklopna ročica	8-1. Rezilo žage
1-2. Gumb	4-4. Sprožilno stikalo	8-2. Ročica vpenjalnika rezila
1-3. Baterijski vložek	5-1. Svetilka	9-1. Inbus ključ
2-1. Oznaka z zvezdico	6-1. Inbus ključ	9-2. Vijak z matico
3-1. Indikatorske lučke	6-2. Šestrobi vijak	9-3. Zrahljati
3-2. Gumb CHECK	6-3. Zrahljati	9-4. Priviti
4-1. Sprostilni gumb	7-1. List sabljaste žage	11-1. Inbus ključ
4-2. Ročica za zaklep	7-2. Ročica vpenjalnika rezila	11-2. Izbočenje

## TEHNIČNI PODATKI

Model	DJR143	DJR145	DJR183	DJR185
Dolžina nihaja	13 mm			
Rezi na minuto (min <sup>-1</sup> )	0 - 3.000			
Maks. zmogljivost rezanja	Cev	50 mm		
	Les	50 mm		
Standardna akumulatorska baterija	BL1415 / BL1415N / BL1430 / BL1430B / BL1440 / BL1450 / BL1460B		BL1815 / BL1815N / BL1820 / BL1820B / BL1830 / BL1830B / BL1840 / BL1840B / BL1850 / BL1850B / BL1860B	
Skupna dolžina	392 mm (z BL1415 / BL1415N)		392 mm (z BL1815 / BL1815N / BL1820 / BL1820B)	
	397 mm (z BL1430 / BL1430B / BL1440 / BL1450 / BL1460B)		398 mm (z BL1830 / BL1830B / BL1840 / BL1840B / BL1850 / BL1850B / BL1860B)	
Neto teža	1,5 kg (z BL1415 / BL1415N)		1,5 kg (z BL1815 / BL1815N / BL1820 / BL1820B)	
	1,7 kg (z BL1430 / BL1430B / BL1440 / BL1450 / BL1460B)		1,8 kg (z BL1830 / BL1830B / BL1840 / BL1840B / BL1850 / BL1850B / BL1860B)	
Nazivna napetost	D.C. 14,4 V		D.C. 18 V	

- Zaradi našega nenehnega programa raziskav in razvoja si pridržujemo pravico do spremembe tehničnih podatkov brez obvestila.
- Tehnični podatki in baterijski vložki se lahko razlikujejo od države do države.
- Teža z baterijskim vložkom je v skladu z EPTA-postopkom 01/2003

ENE020-1

ENG900-1

### Namenska uporaba

Orodje je namenjeno za žaganje lesa, plastike in železnih materialov.

ENG905-1

### Hrup

Tipični, z A ocenjeni vrednosti hrupa glede na EN60745:

#### Model DJR143, DJR185

Raven zvočnega tlaka ( $L_{pA}$ ): 76 dB (A)

Odstopanje (K): 3 dB (A)

Nivo hrupa med delom lahko preseže 80 dB (A).

#### Model DJR145, DJR183

Raven zvočnega tlaka ( $L_{pA}$ ): 77 dB (A)

Odstopanje (K): 3 dB (A)

Nivo hrupa med delom lahko preseže 80 dB (A).

**Uporabljajte zaščito za sluh**

### Vibracije

Skupne vrednosti vibracij (vektorska vsota treh osi) po EN60745:

#### Model DJR143, DJR145

Delovni način : rezanje desk

Oddajanje tresljajev ( $a_{h,B}$ ): 7,0 m/s<sup>2</sup>

Odstopanje (K): 1,5 m/s<sup>2</sup>

Delovni način : rezanje lesenih tramov

Oddajanje tresljajev ( $a_{h,WB}$ ): 7,0 m/s<sup>2</sup>

Odstopanje (K): 1,5 m/s<sup>2</sup>

#### Model DJR183, DJR185

Delovni način : rezanje desk

Oddajanje tresljajev ( $a_{h,B}$ ): 8,0 m/s<sup>2</sup>

Odstopanje (K): 1,5 m/s<sup>2</sup>

Delovni način : rezanje lesenih tramov  
 Oddajanje treslajev ( $a_{h,WB}$ ): 7,0 m/s<sup>2</sup>  
 Odstopanje (K): 1,5 m/s<sup>2</sup>

ENG901-1

- Navedena vrednost oddajanja vibracij je bila izmerjena v skladu s standardnimi metodami testiranja in se lahko uporablja za primerjavo orodij.
- Navedena vrednost oddajanja vibracij se lahko uporablja tudi pri predhodni oceni izpostavljenosti.

### ⚠ OPOZORILO:

- Oddajanje vibracij med dejansko uporabo električnega orodja se lahko razlikuje od navedene vrednosti oddajanja, odvisno od načina uporabe orodja.
- Upravitelj mora za lastno zaščito poznati varnostne ukrepe, ki temeljijo na oceni izpostavljenosti v dejanskih pogojih uporabe (upoštevajoč celoten delovni proces v trenutkih, ko je orodje izključeno in ko deluje v prostem teku z dodatkom časa sprožitve).

ENH101-17

### Samo za evropske države

### ES Izjava o skladnosti

**Družba Makita izjavlja, da je/so naslednji stroj/-i:**

Oznaka stroja:

Brezžična sabljasta žaga

Model št./vrsta: DJR143, DJR145, DJR183, DJR185

**Je skladen z naslednjimi evropskimi direktivami:**  
 2006/42/ES

Izdelan v skladu z naslednjim standardom ali standardiziranimi dokumenti:

EN60745

Tehnična dokumentacija v skladu z direktivo 2006/42/ES je na voljo na:

Makita, Jan-Baptist Vinkstraat 2, 3070, Belgija

31.12.2013



000331

Yasushi Fukaya  
 Direktor

Makita, Jan-Baptist Vinkstraat 2, 3070, Belgija

GEA010-1

## Splošna varnostna opozorila za električno orodje

⚠ OPOZORILO Preberite vsa varnostna opozorila in navodila. Neupoštevanje opozoril in navodil lahko vodi do električnega udara, požara, in/ali hudih telesnih poškodb.

**Shranite vsa opozorila in navodila za kasnejšo uporabo.**

## VARNOSTNA OPOZORILO ZA UPORABO BREZŽIČNE SABLJASTE ŽAGE

1. Če obstaja nevarnost, da bi z rezilnim orodjem prerezali skrito električno napeljavo, držite električno orodje na izoliranih držalnih površinah. Ob stiku z vodniki pod napetostjo dobijo napetost vsi neizolirani kovinski deli električnega orodja, zaradi česar lahko pride do električnega udara.
2. **Uporabljajte sponke ali druge praktične načine za pritrditev in podporo obdelovanca na stabilno podlago.** Če držite obdelovanca z roko ali ga naslanjate na telo, je nestabilen in lahko povzroči izgubo nadzora.
3. **Vedno uporabljajte zaščitna očala. Navadna ali sončna očala NISO zaščitna očala.**
4. **Izogibajte se rezanju žebjev. Preglejte obdelovanca, če so v njem žebli, in jih pred delom odstranite.**
5. **Ne režite prevelikih obdelovancev.**
6. **Pred rezanjem preverite ustrezen prostor okrog obdelovanca, tako da rezilo ne bo udarilo ob tla, delovni pult itd.**
7. **Trdno držite orodje.**
8. **Preden vklopite stikalo, se prepričajte, ali se rezilo ne dotika obdelovanca.**
9. **Ne približujte rok premikajočim se delom.**
10. **Orodja ne pustite delovati brez nadzora. Dovoljeno ga je uporabljati samo ročno.**
11. **Orodje vedno izključite in počakajte, da se rezilo popolnoma ustavi, preden ga odstranite iz obdelovanca.**
12. **Takoj po končani obdelavi se ne dotikajte rezila ali obdelovanca; lahko sta zelo vroča in povzročita opekline kože.**
13. **Ne uporabljajte orodja brez obremenitve po nepotrebnem.**
14. **Vedno uporabite pravilno protiprašno masko/respirator za material in uporabo.**
15. **Nekateri materiali vsebujejo kemikalije, ki so lahko strupene. Bodite previdni in preprečite vdihavanje prahu in stik s kožo. Upoštevajte varnostne podatke dobavitelja materiala.**

## SHRANITE TA NAVODILA.

### ⚠ OPOZORILO:

NE dopustite si, da bi zaradi udobnejšega dela ali poznavanja izdelka (pridobljenega z večkratno uporabo) opustili striktno upoštevanje varnostnih pravil pri uporabi stroja. ZLORABA ali neupoštevanje varnostnih pravil v teh navodilih za uporabo lahko povzroči hude telesne poškodbe.

## POMEMBNA VARNOSTNA NAVODILA

### ZA BATERIJSKE VLOŽKE

1. Pred uporabo baterijskega vložka preberite vsa navodila in opozorilne oznake na (1) polnilniku akumulatorja, (2) akumulatorju in (3) izdelku, ki uporablja akumulator.
2. Ne razstavljajte baterijskega vložka.
3. Če se je čas delovanja občutno skrajšal, takoj prekinite z uporabo. V nasprotnem primeru je lahko rezultat pregretje, morebitne opekline in celo eksplozija.
4. Če pride elektrolit v oči, jih sperite s čisto vodo in takoj poiščite zdravniško pomoč. Posledica je lahko izguba vida.
5. Ne povzročite kratkega stika baterijskega vložka:
  - (1) Ne dotikajte se priključkov s kakršnim koli prevodnim materialom.
  - (2) Izogibajte se shranjevanju baterijskega vložka v posodo z drugimi kovinskimi predmeti kot so žebliji, kovanci itn.
  - (3) Ne izpostavljajte baterijskega vložka vodi ali dežju.

Kratek stik akumulatorja lahko povzroči velik tok, pregretje, morebitne opekline in celo eksplozijo.
6. Ne shranjujte orodja in baterijskega vložka na lokacijah, kjer lahko temperatura doseže ali preseže 50 ° C (122 ° F).
7. Ne sežigajte baterijskega vložka, tudi če je hudo poškodovan ali v celoti izpraznjen. Baterijski vložek lahko v ognju eksplodira.
8. Bodite previdni, da vam akumulator ne pade in ga ne udarjate.
9. Ne uporabljajte poškodovanih akumulatorjev.
10. Upoštevajte lokalne uredbe glede odlaganja akumulatorja.

### SHRANITE TA NAVODILA.

#### Nasveti za maksimalno življenjsko dobo akumulatorja

1. Napolnite baterijski vložek preden se v celoti izprazni.  
Ko opazite, da ima orodje manjšo moč, vedno ustavite delovanje orodja in napolnite baterijski vložek.
2. Nikoli znova ne polnite popolnoma napolnjenega baterijskega vložka.  
Prenapolnjenje skrajša življenjsko dobo akumulatorja.
3. Napolnite baterijski vložek pri sobni temperaturi med 10 ° C in 40 ° C (50 ° F - 104 ° F). Počakajte, da se vroč baterijski vložek pred polnjenjem ohladi.
4. Akumulatorsko baterijo napolnite, če je ne uporabljate dalj časa (dlje kot šest mesecev).

## OPIS DELOVANJA

### ⚠POZOR:

- Pred vsako nastavitvijo ali pregledom delovanja orodja se prepričajte, da je le to izključeno in da je akumulatorska baterija odstranjena.

### Nameščanje ali odstranjevanje akumulatorske baterije

#### SI.1

### ⚠POZOR:

- Vedno izklopite orodje, preden namestite ali odstranite akumulatorsko baterijo.
- **Kadar nameščate ali odstranjujete akumulatorsko baterijo, trdno držite orodje in akumulatorsko baterijo.** Če orodja in akumulatorske baterije ne držite trdno, se lahko zgodi, da vam zdrsneta iz rok, posledica pa je poškodba orodja in akumulatorske baterije ter telesna poškodba.

Za odstranitev akumulatorske baterije iz orodja jo premaknite iz orodja, ob tem pa premaknite gumb na sprednji strani akumulatorske baterije.

Pri vstavljanju akumulatorske baterije poravnajte jeziček na akumulatorski bateriji z utorom na ohišju in ga potisnite v ležišče. Akumulatorsko baterijo vstavite do konca, da se razločno zaskoči. Če vidite rdeči indikator na zgornji strani gumba, ta ni popolnoma zaklenjen.

### ⚠POZOR:

- Vedno namestite akumulatorsko baterijo, tako da rdeči indikator ni več viden. Če tega ne upoštevate, lahko akumulator nepričakovano izpade iz orodja in poškoduje vas ali osebe v neposredni bližini.
- Ne nameščajte akumulatorske baterije s silo. Če se akumulatorska baterija ne zaskoči zlahka, ni pravilno vstavljena.

### Sistem za zaščito akumulatorja (litij-ionske akumulatorji z zvezdico)

#### SI.2

Litij-ionske akumulatorji so opremljene z zaščitnim sistemom. Ta sistem samodejno izklopi dovajanje električne energije v orodje, da bi podaljšal življenjsko dobo baterije.

Orodje se bo samodejno zaustavilo med delovanjem, če sta orodje in/ali baterija zamenjana pod naslednjimi pogoji:

- Preobremenjeno:  
Orodje deluje na način, ki povzroča, da povleče nenormalno visok tok.  
V takem primeru sprostite ročico stikala/sprožilno stikalo na orodju in ga prenehajte uporabljati na način, zaradi katerega je prišlo do preobremenitve. Nato znova pritisnite ročico stikala/sprožilno stikalo, da ga zaženete.

Če se orodje ne zažene, je akumulator pregret. V tem primeru pustite, da se akumulator ohladi, preden znova pritisnete ročico stikala/sprožilno stikalo.
























- Nizka napetost akumulatorja:  
Preostala zmogljivost akumulatorja je prenizka in orodje ne bo delovalo. V tem primeru odstranite in napolnite akumulator.

### Prikazuje preostalo zmogljivost akumulatorja

(Samo za akumulatorske baterije z oznako »B« na koncu številke modela.)

#### SI.3

Pritisnite gumb za preverjanje napolnjenosti na akumulatorski bateriji, da preverite preostalo zmogljivost. Indikatorske lučke zasvetijo za nekaj sekund.

Indikatorske lučke			Preostala zmogljivost
 Sveti	 Ne sveti	 Ultripa	
			od 75 % do 100 %
			od 50 % do 75 %
			od 25 % do 50 %
			od 0 % do 25 %
			Napolnite akumulator.
 	 		Akumulator je morda okvarjen.

015658

#### OPOMBA:

- Ovisno od pogojev uporabe in okoljske temperature se označba lahko nekoliko razlikuje od dejanske napolnjenosti.

### Delovanje stikala

#### ⚠ POZOR:

- Preden namestite akumulatorsko baterijo v orodje, se vedno prepričajte, da je ročica stikala/sprožilno stikalo brezhibno in da se vrača v položaj za izklop (OFF), ko ga spustite.

#### SI.4

Za zaščito pred nehotenim vklopom je ročica stikala/sprožilno stikalo opremljeno s sprostilno ročico/gumbom.

Za zagon orodja enostavno pritisnite ročico stikala ali sprožilno stikalo.

- Za ročico stikala: pritisnite sprostilno ročico in nato pritisnite ročico stikala, da zaženete orodje.
- Za sprožilno stikalo: sprostite sprostilen gumb in nato pritisnite sprožilno stikalo, da zaženete orodje. Sprostilni gumb lahko pritisnete z desne ali leve strani.

Hitrost orodja se poveča za povečani tlak na ročici stikala/sprožilnem stikalu. Za izklop orodja spustite ročico stikala/sprožilno stikalo.

#### OPOMBA:

Ne vlecite ročice stikala/sprožilnega stikala, brez da bi povlekli sprostilno ročico/gumb. To lahko povzroči zlom stikala.

### Vklop sprednje lučke

#### SI.5

#### ⚠ POZOR:

- Ne glejte neposredno v lučko ali vir svetlobe.
- Za vklop svetilke pritisnite ročico stikala/sprožilno stikalo. Svetilka sveti, dokler je pritisnjena ročica stikala/sprožilno stikalo. Svetilka samodejno ugasne 10-15 sekund zatem, ko spustite ročico stikala/sprožilno stikalo.

### Prilaganje vodilnega drsnika

#### SI.6

Ko se rezilo žaginega lista deloma obrabi, lahko spremenite položaj drsnika in režete naprej z ostrim, neobrabljenim delom rezila. Tako lahko podaljšate uporabno dobo rezila.

Če želite ponovno namestiti drsnik, razrahljajte vijak s ključem.

Zdrsnite drsnik do zelenega položaja in nato močno pritrdite vijak.

## MONTAŽA

#### ⚠ POZOR:

- Pred vsako izvedbo dela na orodju se prepričajte, da je le to izključeno in da je akumulatorska baterija odstranjena.

### Namestitev ali odstranitev žaginega lista

#### ⚠ POZOR:

- Z žaginega lista, vpenjala in/ali drsnika redno odstranjujte prijete ostružke ali tujke. V nasprotnem primeru lahko pride do nezadostne zategnjenosti rezila, posledica pa je huda telesna poškodba.

#### Za model DJR143, DJR183

#### SI.7

List sabljaste žage vstavite v vpenjalo in ga potisnite vse do naslona. Vpenjalo obrača in pritrdi žagin list. S poskusnim potegom za žagin list se prepričajte, da se ga ne da izvleči.

#### ⚠ POZOR:

- Če žagin list ni vstavljen dovolj globoko, lahko med delovanjem nenadoma izpade iz stroja. To je lahko izjemno nevarno.

#### OPOMBA:

- Žaginega lista ne morete uporabljati z DJR143 ali DJR183.

#### SI.8

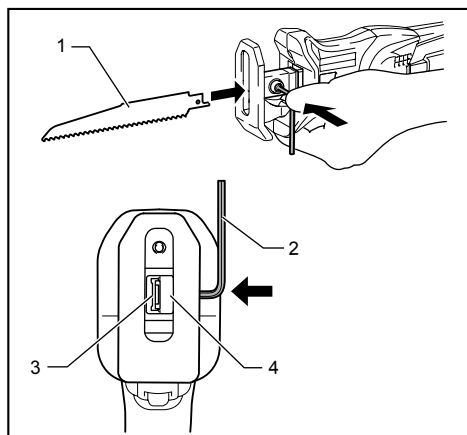
Za odstranitev žaginega lista, obrnite vpenjalo žaginega lista v smeri, ki jo označuje puščica. Žagin list tako odstranite, vpenjalo pa ostane učvrščeno v sproščnem položaju.

#### OPOMBA:

- Če odstranite žagin list, ne da bi popolnoma obrnili vpenjalo žaginega lista, se vpenjalo morda ne bo pritrnilo. V tem primeru popolnoma obrnite vpenjalo žaginega lista in nato pritrdite vpenjalo v sproščnem položaju.

**Za model DJR145, DJR185**

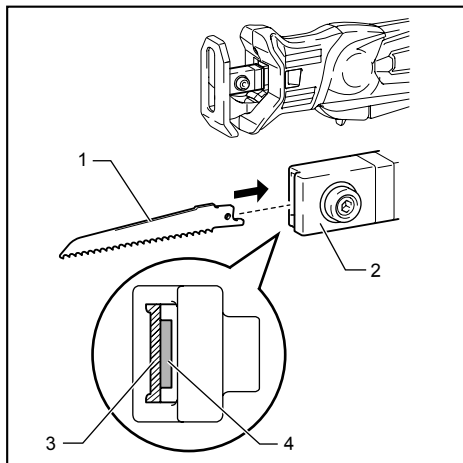
#### SI.9



1. List sabljaste žage
2. Inbus ključ
3. Luknja za list sabljaste žage
4. Vpenjalnik rezila

014048

Če želite namestiti žagin list, s ključem razrahljajte vijak. Ko nameščate list sabljaste žage, s ključem pritisnite vijak in odprite režo, medtem ko vstavljate list.



1. Rezilo žage
2. Vpenjalnik rezila
3. Luknja za list sabljaste žage
4. Luknja za žagin list

014047

#### SI.10

Glede na svoje delo lahko uporabljate oboje, žagine liste (tipa B) in liste sabljaste žage. Žagin list ravno vstavite v vpenjalo in ga zategnite s ključem. Rahlo povlecite žagin list in tako poskrbite, da žagin list med delovanjem ne pade. Za odstranjevanje rezila izvedite postopek namestitve v obratnem vrstnem redu.

#### Shranjevanje inbus ključa

#### SI.11

Ko inbus ključa ne uporabljate, ga shranite, kot je prikazano na sliki, da ga ne izgubite.

## DELOVANJE

#### ⚠ POZOR:

- Med uporabo mora biti vodilni drsnik ves čas v trdnem stiku z obdelovancem. Če vodilni drsnik med žaganjem izgubi stik z obdelovancem, lahko pride do vibracij in do uničenja žaginega lista.
- Pri rezanju kovin vedno nosite rokavice za zaščito pred letečimi, vročimi kovinskimi ostružki.
- Prav tako uporabljajte zaščito za oči v skladu z veljavnimi zakonskimi predpisi.
- Pri rezanju kovin uporabljajte primerno hladilno tekočino (rezilno olje). V nasprotnem primeru lahko pride do predčasne obrabe rezila.

#### SI.12

Vodilni drsnik trdno pritisnite ob obdelovanca. Pazite, da se stroj ne odbije. Približajte žagin list k obdelovancu tako, da se rahlo dotika površine obdelovanca. Začetni rez naredite z nizko hitrostjo rezanja. Nato hitrost rezanja počasi povečajte.

### SI.13

### SI.14

- Glede na svoje delo lahko uporabite ročico stikala ali sprožilno stikalo.

#### OPOMBA:

- Če orodje neprekinjeno deluje, dokler se akumulatorska baterija ne izprazni, pustite orodje 15 minut mirovati in šele nato nadaljujte z novo baterijo.

## VZDRŽEVANJE

#### POZOR:

- Preden se lotite pregledovanja ali vzdrževanja orodja, se vedno prepričajte, da je orodje izklopljeno in akumulatorska baterija odstranjena.
- Nikoli ne uporabljajte bencina, razredčila, alkohola ali podobnega. V tem primeru se orodje lahko razbarva, deformira, lahko pa tudi nastanejo razpoke.

VARNO in ZANESLJIVO delovanje tega izdelka bo zagotovljeno le, če boste popravila, vzdrževanje in nastavitve prepustili pooblaščenemu servisu za orodja Makita, ki vgrajuje izključno originalne nadomestne dele.

## DODATNI PRIBOR

#### POZOR:

- Ta dodatni pribor ali pripomočki so predvideni za uporabo z orodjem Makita, ki je opisano v teh navodilih za uporabo. Pri uporabi drugega pribora ali pripomočkov obstaja nevarnost telesnih poškodb. Dodatni pribor ali pripomočke uporabljajte samo za navedeni namen.

Za več informacij o dodatnem priboru in opremi se obrnite na najbližji pooblaščen Makita servis.

- List sabljaste žage
- Žagini listi (le za model DJR145, DJR185)
- Originalna akumulator in polnilnik Makita

#### OPOMBA:

- Nekateri predmeti na seznamu so lahko priloženi orodju kot standardni pribor. Lahko se razlikuje od države do države.

## SHQIP (Udhëzimet origjinale)

### Shpjegim i pamjes së përgjithshme

1-1. Treguesi i kuq	4-3. Doreza e ndryshimit të lëvizjes	8-1. Fleta e sharrës
1-2. Butoni	4-4. Këmbëza e çelësit	8-2. Bokulla e shtrënguesit të fletës
1-3. Kutia e baterisë	5-1. Llamba	9-1. Çelësi heksagonal
2-1. Shënim me yll	6-1. Çelësi heksagonal	9-2. Buloni
3-1. Llambat treguese	6-2. Buloni heksagonal	9-3. Liruesi
3-2. Butoni CHECK	6-3. Liruesi	9-4. Shtrënguesi
4-1. Butoni i bllokimit	7-1. Disku i sharrës reciprokuese	11-1. Çelësi heksagonal
4-2. Leva e bllokimit	7-2. Bokulla e shtrënguesit të fletës	11-2. Pjesa e dalë

## SPECIFIKIMET

Modeli	DJR143	DJR145	DJR183	DJR185
Gjatësia e goditjes	13 mm			
Goditje në minutë (min <sup>-1</sup> )	0 - 3000			
Kapacitetet maksimale të prerjes	Tubi	50 mm		
	Dru	50 mm		
Kutia standarde e baterisë	BL1415 / BL1415N / BL1430 / BL1430B / BL1440 / BL1450 / BL1460B		BL1815 / BL1815N / BL1820 / BL1820B / BL1830 / BL1830B / BL1840 / BL1840B / BL1850 / BL1850B / BL1860B	
Gjatësia e përgjithshme	392 mm (me BL1415 / BL1415N)		392 mm (me BL1815 / BL1815N / BL1820 / BL1820B)	
	397 mm (me BL1430 / BL1430B / BL1440 / BL1450 / BL1460B)		398 mm (me BL1830 / BL1830B / BL1840 / BL1840B / BL1850 / BL1850B / BL1860B)	
Pesha neto	1,5 kg (me BL1415 / BL1415N)		1,5 kg (me BL1815 / BL1815N / BL1820 / BL1820B)	
	1,7 kg (me BL1430 / BL1430B / BL1440 / BL1450 / BL1460B)		1,8 kg (me BL1830 / BL1830B / BL1840 / BL1840B / BL1850 / BL1850B / BL1860B)	
Tensioni nominal	DC 14,4 V		DC 18 V	

- Për shkak të programit tonë të vazhdueshëm të kërkim-zhvillimit, specifikimet e përmendura këtu mund të ndryshojnë pa njoftim paraprak.
- Specifikimet dhe kutia e baterisë mund të ndryshojnë nga njëri shtet në tjetrin.
- Pesha me kutinë e baterisë sipas procedurës EPTA 01.2003

ENE020-1

ENG900-1

### Përdorimi i synuar

Pajisja është synuar për sharrimin e drurit, plastikës dhe materialeve të hekurta.

ENG905-1

### Dridhjet

Vlera totale e dridhjeve (shuma e vektorit me tre akse) përcaktohet sipas EN60745:

#### Modeli DJR143, DJR145

Regjimi i punës : prerja e dërrasave  
Emetimi i dridhjeve ( $a_{h,B}$ ): 7,0 m/s<sup>2</sup>  
Pasiguria (K): 1,5 m/s<sup>2</sup>

Regjimi i punës : prerja e trarëve prej druri  
Emetimi i dridhjeve ( $a_{h,WB}$ ): 7,0 m/s<sup>2</sup>  
Pasiguria (K): 1,5 m/s<sup>2</sup>

#### Modeli DJR183, DJR185

Regjimi i punës : prerja e dërrasave  
Emetimi i dridhjeve ( $a_{h,B}$ ): 8,0 m/s<sup>2</sup>  
Pasiguria (K): 1,5 m/s<sup>2</sup>

### Zhurma

Niveli tipik i zhurmës A, i matur sipas EN60745:

#### Modeli DJR143, DJR185

Niveli i presionit të zërit ( $L_{pA}$ ): 76 dB (A)

Pasiguria (K): 3 dB (A)

Niveli i zhurmës mund të tejkalojë 80 dB (A).

#### Modeli DJR145, DJR183

Niveli i presionit të zërit ( $L_{pA}$ ): 77 dB (A)

Pasiguria (K): 3 dB (A)

Niveli i zhurmës mund të tejkalojë 80 dB (A).

### Mbani mbrojtëse për veshët

Regjimi i punës : prerja e trarëve prej druri  
 Emetimi i dridhjeve ( $a_{h,wb}$ ): 7,0 m/s<sup>2</sup>  
 Pasiguria (K): 1,5 m/s<sup>2</sup>

ENG901-1

- Vlera e deklaruar e emetimeve të dridhjeve është matur sipas metodës standarde të testimit dhe mund të përdoret për të krahasuar një vegël me një tjetër.
- Vlera e deklaruar e emetimeve të dridhjeve mund të përdoret për një vlerësim paraprak të ekspozimit.

### ⚠ PARALAJMËRIM:

- Emetimet e dridhjeve gjatë përdorimit aktual të veglës elektrike mund të ndryshojnë nga vlerat e deklaruara të emetimeve në varësi të mënyrave sesi përdoret vegla.
- Sigurohuni që të identifikoni masat e sigurisë për mbrojtjen e përdoruesit, që bazohen në vlerësimin e ekspozimit ndaj kushteve aktuale të përdorimit (duke marrë parasysh të gjitha pjesët e ciklit të funksionimit si ato kur vegla është e fikur dhe punon pa prerë, ashtu edhe kohën e përdorimit).

ENH101-17

### Vetëm për shtetet evropiane

#### Deklarata e konformitetit me KE-në

#### Makita deklaron që makineria(të) e mëposhtme:

Emërtimi i makinerisë:

Sharra reciprokuese me bateri

Nr. i modelit/ Lloji: DJR143, DJR145, DJR183, DJR185

#### Pajtohet me direktivën evropiane të mëposhtme:

2006/42/KE

Ato janë prodhuar konform standardit ose dokumenteve të standardizuara si vijon:

EN60745

Skedari teknik konform direktivës 2006/42/KE disponohet nga:

Makita, Jan-Baptist Vinkstraat 2, 3070, Belgjikë

31.12.2013



000331

Yasushi Fukaya  
Drejtor

Makita, Jan-Baptist Vinkstraat 2, 3070, Belgjikë

## Paralajmërimet e përgjithshme për sigurinë e veglës

⚠ **PARALAJMËRIM** Lexoni të gjitha paralajmërimet dhe udhëzimet për sigurinë. Mosndjekja e paralajmërimeve dhe udhëzimeve mund të rezultojë në goditje elektrike, zjarr dhe/ose dëmtim serioz.

**Ruajini të gjitha paralajmërimet dhe udhëzimet për të ardhmen.**

GEB048-2

## PARALAJMËRIME PËR SIGURINË E SHARRËS RECIPROKUESE ME BATERI

1. **Mbajeni pajisjen elektrike të sipërfaqet e izoluar kur të jeni duke kryer një veprim në të cilin aksessori prerës mund të kontaktojë me tela të fshehur.** Nëse aksessori prerës prek një tel me rrymë atëherë pjesët metalike të pajisjes elektrike elektrizohen dhe mund t'i japin punëtorit goditje elektrike.
2. **Përdorni morseta ose ndonjë mënyrë tjetër praktike për ta siguruar dhe për ta mbështetur materialin e punës në një platformë të qëndrueshme.** Mbajtja e materialit me dorë ose përkundrejt trupit tuaj e lë atë të paqëndrueshëm dhe mund të shkaktojë humbje të kontrollit.
3. **Përdorni gjithmonë syze sigurie të mëdha ose të vogla. Syzet e zakonshme ose syzet e diellit NUK janë syze sigurie.**
4. **Shmangni prerjen e gozhdëve. Kontrolloni materialin e punës për gozhdë dhe hiqini ato përpara se të punoni.**
5. **Mos prisni materiale të mëdha pune.**
6. **Kontrolloni për vend bosh prapa materialit të punës përpara se të prisni, në mënyrë që fleta të mos godasë dyshemenë, tavolinën e punës etj.**
7. **Mbajni fort pajisjen.**
8. **Sigurohuni që disku nuk e prek materialin e punës përpara se të ndizet çelësi.**
9. **Mbajini duart larg pjesëve lëvizëse.**
10. **Mos e lini veglën të ndezur. Përdoreni veglën vetëm duke e mbajtur në dorë.**
11. **Gjithmonë fikeni veglën dhe prisni që fleta të ndalojë plotësisht përpara se ta hiqni atë nga materiali i punës.**
12. **Mos e prekni fletën e sharrës ose materialin e punës menjëherë pas veprimit; ato mund të jenë shumë të nxehta dhe mund t'ju djegin lëkurën.**
13. **Mos e përdorni veglën pa ngarkesë nëse nuk është e nevojshme.**
14. **Përdorni gjithmonë maskën kundër pluhurit/respiratorin e duhur për materialin dhe për aplikacionin me të cilët po punoni.**



- Disa materiale përmbajnë kimikate që mund të jenë toksike. Kini kujdes që të parandaloni thithjen e pluhurave dhe kontaktin me lëkurën. Ndiqni të dhënat e sigurisë nga furnizuesi i materialit.

## RUAJINI KËTO UDHËZIME.

### ⚠ PARALAJMËRIM:

MOS lejoni që njohja ose familjarizimi me produktin (të fituara nga përdorimi i shpeshtë) të zëvendësojnë zbatimin me përpikëri të rregullave të sigurisë për produktin në fjalë. KEQPËRDORIMI ose mosndjekja e rregullave të sigurisë të dhëna në këtë manual përdorimi mund të shkaktojnë dëmtime personale serioze.

ENC007-9

## UDHËZIME TË RËNDËSISHME PËR SIGURINË

### PËR KUTINË E BATERISË

- Përpara se ta përdorni kutinë e baterisë, lexoni të gjitha udhëzimet dhe shënimet e masave parandaluese të (1) ngarkuesi i baterisë, (2) bateria dhe (3) produkti që përdor baterinë.
- Mos e hiqni kutinë e baterisë.
- Nëse koha e përdorimit është shkurtuar jashtë mase, ndalojeni punën menjëherë. Kjo mund të rezultojë në rrezik mbinxehjeje, djegie të mundshme, madje edhe shpërthim.
- Nëse ju futen elektrolite në sy, shpëlajini sytë me ujë të pastër dhe kërkoni ndihmë mjekësore menjëherë. Kjo gjë mund të rezultojë në humbje të shikimit.
- Mos bëni lidhje të shkurtër me kutinë e baterisë:
  - Mos i prekni polet me materiale të tjera përcjellëse.
  - Shmangni ruajtjen e kutisë së baterisë në një kuti me objekte të tjera metalike, si gozhdë, monedha etj.
  - Mos e ekspozoni kutinë e baterisë në ujë ose shi.

Qarku i shkurtër i baterisë mund të shkaktojë qarkullim të madh të rrymës elektrike, mbinxehje, djegie të mundshme dhe madje prishje.

- Mos e ruani pajisjen dhe kutinë e baterisë në vende ku temperatura mund të arrijë ose tejkalojë 50 ° C (122 ° F).
- Mos e digjni kutinë e baterisë, edhe nëse është shumë e dëmtuar ose është konsumuar plotësisht. Kutia e baterisë mund të shpërthejë në zjarr.

- Bëni kujdes që të mos e rrëzoni ose ta godisni baterinë.
- Mos përdorni bateri të dëmtuar.
- Zbatoni rregulloret lokale rreth asgjësimit të baterisë.

## RUAJINI KËTO UDHËZIME.

Këshilla për të ruajtur jetëgjatësinë maksimale të baterisë

- Ngarkojeni baterinë përpara se të shkarkohet plotësisht. Gjithmonë ndaloni punën me pajisjen dhe ngarkoni baterinë kur vëreni ulje të fuqisë së pajisjes.
- Asnjëherë mos e ringarkoni baterinë e ngarkuar plotësisht. Mbingarkimi shkurton jetëgjatësinë e shërbimit të baterisë.
- Ngarkojeni baterinë në temperaturën e dhomës në 10 ° C - 40 ° C (50 ° F - 104 ° F). Lëreni kutinë e nxehtë të baterisë të ftohet përpara se ta ngarkoni atë.
- Ngarkojeni kutinë e baterisë, nëse nuk e përdorni për një periudhë të gjatë (për më shumë se gjashtë muaj).

# PËRSHKRIMI I PUNËS

## △KUJDES:

- Sigurohuni gjithmonë që vegla të jetë e fikur dhe kutia e baterisë të jetë hequr përpara se ta rregulloni apo t'i kontrolloni funksionet e veglës.

## Instalimi ose heqja e kutisë së baterisë

Fig.1

## △KUJDES:

- Fikeni gjithmonë veglën përpara se të instaloni ose hiqni kutinë e baterisë.
- **Mbajeni fort veglën dhe kutinë e baterisë kur vendosni ose hiqni kutinë e baterisë.** Mosmbajta fort e veglës dhe kutisë së baterisë mund të bëjë që ato t'ju rrëshqasin nga duart dhe të sjellë dëmtimin e veglës dhe të kutisë së baterisë, si dhe lëndimin e personit.

Për të hequr kutinë e baterisë, rrëshqiteni atë nga vegla ndërsa rrëshqisni butonin në pjesën e përparme të kutisë së baterisë.

Për të vendosur kutinë e baterisë, bashkërenditni gjuhëzën e kutisë së baterisë me kanalën e folesë dhe rrëshqiteni për ta futur. Futeni deri në fund, derisa të kërcasë dhe të bllokohet në vend. Nëse shikoni treguesin e kuq në anën e sipërme të butonit, ajo nuk është bllokuar plotësisht.

## △KUJDES:

- Vendoseni gjithnjë plotësisht kutinë e baterisë derisa treguesi i kuq të mos duket. Nëse jo, ajo mund të bjerë aksidentalisht nga vegla duke ju lënduar ju ose personat pranë.
- Mos e vendosni me forcë kutinë e baterisë. Nëse kutia nuk rrëshqet me lehtësi brenda, ajo nuk është futur siç duhet.

## Sistemi i mbrojtjes së baterisë (bateri litiumi e shënuar me yll)

Fig.2

Bateritë e litiumit të shënuara me yll janë të pajisura me një sistem mbrojtjeje. Ky sistem ndërpret automatikisht energjinë në vegël për të zgjatur jetëgjatësinë e baterisë. Vegla do të ndalojë automatikisht gjatë punës nëse vegla dhe/ose bateria janë vendosur sipas një prej kushteve të mëposhtme:

- I mbingarkuar:  
Vegla përdoret në një mënyrë që e bën atë të marrë rrymë të lartë anormale.  
Në këtë situatë, lëshoni levën/këmbëzën e çelësit në vegël dhe ndaloni punën që shkaktoi mbingarkesën e veglës. Më pas tërhiqni përsëri levën/këmbëzën e çelësit për ta rinisur.  
Nëse vegla nuk ndizet, bateria është e mbinxehur. Në këtë situatë, lëreni baterinë të ftohet përpara se ta tërhiqni sërish levën/këmbëzën e çelësit.

- Tension i ulët i baterisë:  
Kapaciteti i mbetur i baterisë është shumë i ulët dhe vegla nuk do të punojë. Në këtë situatë, hiqni dhe ngarkoni baterinë.

## Treguesi i kapacitetit të mbetur të baterive

(Vetëm për kutitë e baterive me "B" në fund të numrit të modelit.)

Fig.3

Për të treguar kapacitetin e mbetur të baterisë, shtypni butonin e kontrollit në kutinë e baterisë. Llamba e treguesit ndizet për disa sekonda.

Llambat treguese			Kapaciteti i mbetur
Ndezur	Fikur	Vezullon	
■ ■ ■ ■			75 % deri në 100 %
■ ■ ■ □			50 % deri në 75 %
■ ■ □ □			25 % deri në 50 %
■ □ □ □			0 % deri në 25 %
▣ □ □ □			Ngarkoni baterinë.
■ ■ □ □			Bateria mund të ketë keqfunksionuar.
□ □ ■ ■			

015658

## SHËNIM:

- Në varësi të kushteve të përdorimit dhe të temperaturës së ambientit, treguesi mund të ndryshojë paksa nga kapaciteti aktual.

## Veprimi i ndërrimit

## △KUJDES:

- Përpara se të montoni kutinë e baterisë në vegël, kontrolloni gjithmonë për të parë nëse leva/këmbëza e çelësit aktivizohet siç duhet dhe nëse kthehet në pozicionin "FIKUR" kur lëshohet.

Fig.4

Për të parandaluar tërheqjen aksidentale të levës/këmbëzës së çelësit ofrohet leva/butoni i bllokimit. Për ta ndezur veglën, tërhiqni ose levën, ose këmbëzën e çelësit.

- Për levën e çelësit, tërhiqni levën e bllokimit dhe më pas tërhiqni levën e çelësit për ta ndezur veglën.
- Për këmbëzën e çelësit, shtypni butonin e bllokimit dhe më pas tërhiqni këmbëzën e çelësit për ta ndezur veglën. Butoni i bllokimit mund të shtypet në anën e djathtë ose të majtë.

Shpejtësia e veglës rritet duke rritur presionin mbi levën/këmbëzën e çelësit. Lëshoni levën/këmbëzën e çelësit për ta ndaluar.

## VINI RE:

Mos e tërhiqni fort levën/këmbëzën e çelësit pa tërhequr levën/butonin e bllokimit. Kjo mund të shkaktojë thyerjen e çelësit.

## Ndezja e llambës së përparme

### Fig.5

#### ⚠️KUJDES:

- Mos e shikoni direkt dritën ose burimin e dritës. Tërhiqni levën/këmbëzën e çelësit për të ndezur llambën. Llamba vazhdon të ndriçojë gjatë tërheqjes së levës/këmbëzës së çelësit. Llamba fiket automatikisht 10-15 sekonda pasi lëshoni levën/këmbëzën e çelësit.

## Rregullimi i ferrotës

### Fig.6

Kur disku e humbet efikasitetin prerës diku në skajin e tij prerës, ripoziciononi ferrotën për të përdorur një pjesë të mprehtë, të papërdorur të skajit prerës. Kjo do të ndihmojë në ritijen e jetëgjatësisë së diskut. Për të ripozicionuar ferrotën, lironi bulonin me një çelës heksagonal. Rrëshqiteni ferrotën në pozicionin e dëshiruar dhe shtrëngoni fort bulonin.

## MONTIMI

#### ⚠️KUJDES:

- Sigurohuni gjithmonë që vegla të jetë e fikur dhe kutia e baterisë të jetë hequr përpara se të kryeni ndonjë punë në vegël.

## Instalimi ose heqja e tehut të sharrës

#### ⚠️KUJDES:

- Gjithmonë pastroni të gjitha ashklat ose mbetjet e huaja që futen në teh, në shtrënguesin e tehut dhe/ose rrëshqitës. Moskryerja e këtij veprimi mund të rezultojë në shtrëngimin e pamjaftueshëm të tehut duke çuar në lëndim të rëndë trupor.

### Për modelin DJR143, DJR183

### Fig.7

Futni diskun e sharrës reciprokuese në shtrënguesin e diskut deri në fund. Manikota e shtrënguesit të diskut rrotullohet dhe fikson diskun e sharrës. Sigurohuni që disku i sharrës të mos hiqet edhe pse mundoheni ta hiqni.

#### ⚠️KUJDES:

- Nëse nuk e futni tehun e sharrës aq thellë sa ç'duhet, tehu i sharrës mund të dalë në mënyrë të papritur gjatë punës. Kjo mund të jetë tejet e rrezikshme.

#### SHËNIM:

- Nuk mund ta përdorni diskun e sharrës për prerje harkore me DJR143 ose me DJR183.

### Fig.8

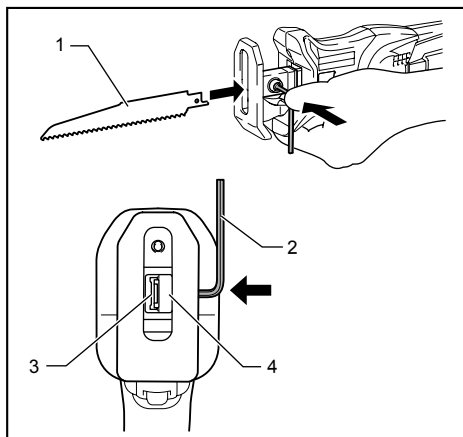
Për të hequr diskun e sharrës, rrotulloni manikotën e shtrënguesit të diskut plotësisht në drejtimin e shigjetës. Disku i sharrës hiqet dhe manikota e shtrënguesit të diskut fiksohet në pozicionin e lëshuar.

#### SHËNIM:

- Nëse e hiqni diskun e sharrës pa rrotulluar manikotën e shtrënguesit të diskut, manikota mund të mos fiksohet. Në këtë rast, rrotullojeni plotësisht manikotën e shtrënguesit të diskut dhe fiksojeni manikotën në pozicionin e lëshuar.

### Për modelin DJR145, DJR185

### Fig.9

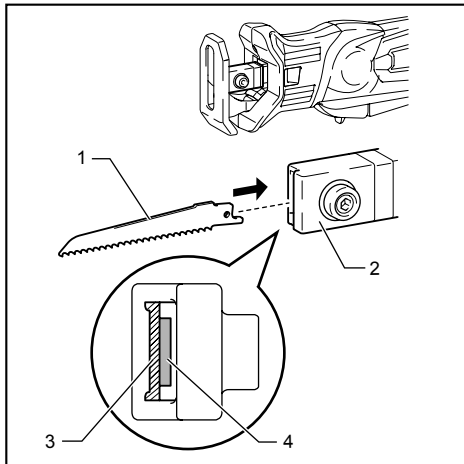


1. Disku i sharrës reciprokuese
2. Çelësi heksagonal
3. Vrima për diskun e sharrës reciprokuese
4. Shtrënguesi i fletës

014048

Për të montuar diskun e sharrës, lironi bulonin me çelësin heksagonal.

Kur montoni diskun e sharrës reciprokuese, shtyni bulonin me çelësin heksagonal për të hapur vrimën gjatë futjes së diskut.



1. Fleta e sharrës
2. Shtërnguesi i fletës
3. Vrima për diskun e sharrës reciprokuese
4. Vrima për diskun e sharrës për prerje harkore

014047

**Fig.10**

Mund të përdorni edhe disqet e sharrës për prerje harkore (lloji B) edhe disqet e sharrës reciprokuese sipas punës. Futeni diskun e sharrës drejtpërdrejt te shtërnguesi i diskut dhe shtërngojeni me çelësin heksagonal. Tërhiqeni diskun e sharrës lehtë për t'u siguruar që disku i sharrës të mos shpërbëhet gjatë punës.

Për ta hequr diskun e sharrës ndiqni procedurën e kundërt të instalimit.

## Ruajtja e çelësit heksagonal

**Fig.11**

Kur nuk e keni në përdorim, çelësin heksagonal ruajeni siç tregohet në figurë që mos t'ju humbë.

## PËRDORIMI

### ⚠️KUJDES:

- Gjithmonë shtypni ferrotën fort kundër materialit gjatë punës. Nëse ferrota mbahet larg materialit gjatë punës, do të shkaktohen dridhje dhe/ose lëvizje të mëdha, duke bërë që tehu të thyhet e të krijohet rrezik.
- Gjithmonë vini doreza për të mbrojtur duart tuaja nga ashkla fluturuese të nxehta gjatë prerjes së metalit.
- Sigurohuni që të vishni gjithmonë mbrojtje të përshtatshme për sytë që është në pajtim me standardet aktuale kombëtare.
- Përdorni gjithmonë një ftohës të përshtatshëm (vaj prerjeje) kur prisni metal. Mos kryerja e këtij veprimi do të shkaktojë konsumim të parakohshëm të tehut.

**Fig.12**

Shtypni ferrotën fort kundrejt materialit të punës. Mos e lejoni veglën të lëvizë. Vëreni diskun e sharrës në kontakt të lehtë me materialin e punës. Në fillim bëni një kanal pilot në shpejtësi më të ulët. Më pas përdorni shpejtësi më të lartë për të vazhduar prerjen.

**Fig.13**

**Fig.14**

- Mund ta përdorni levën ose këmbëzën e çelësit sipas punës.

### SHËNIM:

- Nëse vegla përdoret në mënyrë të vazhdueshme derisa bateria të shkarkohet, mos e përdorni veglën për 15 minuta derisa të vazhdoni me një bateri të re.

## MIRËMBAJTJA

### ⚠️KUJDES:

- Sigurohuni gjithmonë që vegla të jetë fikur dhe të jetë hequr nga bateria përpara se të kryeni inspektimin apo mirëmbajtjen.
- Mos përdorni kurrë benzinë, benzinë pastrimi, hollues, alkool dhe të ngjashme. Mund të shkaktoni çngjyrosje, deformime ose krisje.

Për të ruajtur SIGURINË dhe QËNDRUESHMËRINË, riparimet dhe çdo mirëmbajtje apo rregullim tjetër duhen kryer nga qendrat e autorizuara të shërbimit të Makita-s, duke përdorur gjithnjë pjesë këmbimi të Makita-s.

## AKSESORË OPSIONALË

### ⚠️KUJDES:

- Këta aksesore ose shtojca rekomandohen për përdorim me veglën Makita të përcaktuar në këtë manual. Përdorimi i aksesoreve apo shtojcave të tjera ndryshe nga këto mund të përbëjë rrezik lëndimi. Aksesoret ose shtojcat përdorini vetëm për qëllimin e tyre të përcaktuar.

Nëse keni nevojë për më shumë të dhëna në lidhje me aksesoret, pyesni qendrën vendore të shërbimit të Makita-s.

- Tehet e sharrës me lëvizje reciprokuese
- Disqet e sharrës për prerje harkore (vetëm për modelin DJR145, DJR185)
- Bateri dhe ngarkues origjinal Makita

### SHËNIM:

- Disa artikuj të listës mund të përfshihen në paketën e veglës si aksesore standardë. Ato mund të ndryshojnë nga njëri shtet në tjetrin.

## БЪЛГАРСКИ (Оригинална инструкция)

### Разяснение на общия изглед

1-1. Червен индикатор	4-3. Спусък	8-1. Циркулярен диск
1-2. Бутон	4-4. Пусков прекъсвач	8-2. Затягаща втулка на ножа
1-3. Акумулатор	5-1. Лампа	9-1. Имбусен ключ
2-1. Маркировка звезда	6-1. Имбусен ключ	9-2. Болт
3-1. Светлинни индикатори	6-2. Шестостенен болт	9-3. Разхлабване
3-2. Бутон СНЕСК (ПРОВЕРКА)	6-3. Разхлабване	9-4. Затягане
4-1. Блокиращ бутон	7-1. Нож за трион	11-1. Имбусен ключ
4-2. Блокиращ лост	7-2. Затягаща втулка на ножа	11-2. Ограничител

## СПЕЦИФИКАЦИИ

Модел	DJR143	DJR145	DJR183	DJR185
Дължина на хода	13 мм			
Обороти в минута (мин <sup>-1</sup> )	0 - 3 000			
Макс. дебелина за рязане	Тръба	50 мм		
	Дърво	50 мм		
Стандартна акумулаторна батерия	BL1415 / BL1415N / BL1430 / BL1430B / BL1440 / BL1450 / BL1460B		BL1815 / BL1815N / BL1820 / BL1820B / BL1830 / BL1830B / BL1840 / BL1840B / BL1850 / BL1850B / BL1860B	
Габаритна дължина	392 мм (с BL1415 / BL1415N)		392 мм (с BL1815 / BL1815N / BL1820 / BL1820B)	
	397 мм (с BL1430 / BL1430B / BL1440 / BL1450 / BL1460B)		398 мм (с BL1830 / BL1830B / BL1840 / BL1840B / BL1850 / BL1850B / BL1860B)	
Нето тегло	1.5 кг (с BL1415 / BL1415N)		1.5 кг (с BL1815 / BL1815N / BL1820 / BL1820B)	
	1.7 кг (с BL1430 / BL1430B / BL1440 / BL1450 / BL1460B)		1.8 кг (с BL1830 / BL1830B / BL1840 / BL1840B / BL1850 / BL1850B / BL1860B)	
Номинално напрежение	Постоянно напрежение 14.4 V		Постоянно напрежение 18 V	

- Поради нашата непрекъсната научно-развойна дейност посочените тук спецификации могат да бъдат променени без предизвестие.
- Спецификациите и акумулаторите могат да са различни в различните държави.
- Тегло, с акумулатор, съгласно Процедурата EPTA 01/2003

ENE020-1

### Предназначение

Инструментът е предназначен за рязане на дърво, пластмаса и черни метали.

ENG905-1

### Шум

Обичайното средно претеглено ниво на шума, определено съгласно EN60745:

#### Модел DJR143, DJR185

Ниво на звуково налягане ( $L_{pA}$ ): 76 dB (A)

Коефициент на неопределеност (K): 3 dB (A)

При работа нивото на шума може да превиши 80 dB (A).

#### Модел DJR145, DJR183

Ниво на звуково налягане ( $L_{pA}$ ): 77 dB (A)

Коефициент на неопределеност (K): 3 dB (A)

При работа нивото на шума може да превиши 80 dB (A).

### Използвайте антифони

ENG900-1

### Вибрации

Общата стойност на вибрациите (сума от три осови вектора), определена съгласно EN60745:

#### Модел DJR143, DJR145

Работен режим : рязане на плоскости

Ниво на вибрациите ( $a_{hB}$ ): 7.0  $m/s^2$

Коефициент на неопределеност (K): 1.5  $m/s^2$

Работен режим : рязане на дървени греди

Ниво на вибрациите ( $a_{hWB}$ ): 7.0  $m/s^2$

Коефициент на неопределеност (K): 1.5  $m/s^2$

**Модел DJR183, DJR185**

Работен режим : рязане на плоскости  
 Ниво на вибрациите ( $a_{h,vB}$ ): 8.0  $m/c^2$   
 Коефициент на неопределеност (K): 1.5  $m/c^2$

Работен режим : рязане на дървени греди  
 Ниво на вибрациите ( $a_{h,vB}$ ): 7.0  $m/c^2$   
 Коефициент на неопределеност (K): 1.5  $m/c^2$

ENG901-1

- Обявеното ниво на вибрациите е измерено в съответствие със стандартни методи за изпитване и може да се използва за сравняване на инструменти.
- Освен това, обявеното ниво на вибрациите може да се използва за предварителна оценка на вредното въздействие.

**⚠ ПРЕДУПРЕЖДЕНИЕ:**

- Нивото на вибрациите при работа с електрическия инструмент може да се различава от обявената стойност в зависимост от начина на използване на инструмента.
- Задължително определете предпазни мерки за защита на оператора въз основа на оценка на риска в реални работни условия (като се вземат предвид всички съставни части на работния цикъл, като например момента на изключване на инструмента, работата на празен ход, както и времето на задействане).

ENH101-17

**Само за страните от ЕС****ЕО Декларация за съответствие****Makita декларира, че следната/ите машина/и:**

Наименование на машината:

Акумулаторен трион

Модел №/ Тип: DJR143, DJR145, DJR183, DJR185

**Съответстват на изискванията на следните европейски директиви:**

2006/42/ЕО

Произведение са в съответствие със следния стандарт или стандартизирани документи:

EN60745

Съгласно 2006/42/ЕС, файлът с техническа информация е достъпен от:

Makita, Jan-Baptist Vinkstraat 2, 3070, Белгия

31.12.2013



000331

Ясуши Фукайа  
 Директор

Makita, Jan-Baptist Vinkstraat 2, 3070, Белгия

## Общи предупреждения за безопасност при работа с електрически инструменти

**⚠ ПРЕДУПРЕЖДЕНИЕ** Прочетете всички предупреждения за безопасност и всички инструкции. При неспазване на предупрежденията и инструкциите има опасност от токов удар, пожар и/или тежко нараняване.

**Запазете всички предупреждения и инструкции за справка в бъдеще.**

GEB048-2

## ПРЕДУПРЕЖДЕНИЯ ЗА БЕЗОПАСНА РАБОТА С АКУМУЛАТОРЕН ТРИОН

1. Дръжте електрическия инструмент за изолираните и нехлъзгави повърхности, когато има опасност свредлото да допре в скрити кабели. Ако свредлото допре до проводник под напрежение, токът може да премине през металните части на инструмента и да „ударя“ работещия.
2. Използвайте стяги или друг практичен способ за закрепване на работния детайл върху стабилна повърхност. Ако държите детайла в ръка или притиснат към тялото ви, той няма да е стабилен и може да загубите контрол.
3. Винаги ползвайте защитни очила. Обикновените или слънчеви очила НЕ са защитни.
4. Избягвайте да режете гвоздеи. Огледайте обработвания детайл за гвоздеи и ги махнете, преди да пристъпите към работа.
5. Не режете прекалено големи детайли.
6. Проверете дали има достатъчно свободно пространство около детайла преди да го режете, тъй че ножът да не удари в пода, в тезгяха или друго.
7. Дръжте инструмента здраво.
8. Преди да включите инструмента се уверете, че ножът не се допира до детайла.
9. Дръжете ръцете си далеч от подвижните части.
10. Не оставяйте инструмента да работи без надзор. Инструментът трябва да работи, само когато го държите в ръце.
11. Изключете инструмента и изчакайте ножът да спре да се движи напълно преди да го изваждате от обработвания детайл.
12. Не докосвайте ножа или обработвания детайл непосредствено след работа, защото могат да са много горещи и да изгорят кожата ви.

13. Не оставяйте инструмента да работи ненужно на празен ход.
  14. Винаги ползвайте маска за прах или дихателен апарат, съответстващ на материала и уреда, с който работите.
  15. Някои материали съдържат химикали, които могат да са токсични. Вземете предпазни мерки, за да предотвратите вдишването на прах и контакта с кожата. Следвайте информацията на доставчика на материал за безопасната работа с него.
6. Не съхранявайте инструмента и акумулаторите на места, където температурата може да достигне, или надмине 50 ° C (122 ° F).
  7. Не изгаряйте акумулаторите, даже и ако те са сериозно повредени или напълно износени. Акумулаторът може да експлодира в огън.
  8. Внимавайте да не изпускате или удряте акумулатора.
  9. Не използвайте повредени акумулатори.
  10. Спазвайте местните разпоредби за изхвърляне на акумулатори.

## ЗАПАЗЕТЕ НАСТОЯЩИТЕ ИНСТРУКЦИИ.

### ⚠ ПРЕДУПРЕЖДЕНИЕ:

НЕ позволявайте успокоението от познаването на продукта (придобито при дългата му употреба) да замени стриктното спазване на правилата за безопасност за въпросния продукт. НЕПРАВИЛНАТА УПОТРЕБА и неспазването на правилата за безопасност, посочени в настоящото ръководство за експлоатация, могат да доведат до тежки наранявания.

ENC007-9

## ВАЖНИ ИНСТРУКЦИИ ЗА БЕЗОПАСНОСТ

### АКУМУЛАТОРА

1. Преди да използвате акумулатора прочетете всички инструкции и предупредителни маркировки на (1) зарядното устройство за акумулаторите, (2) за акумулаторите и (3) за използващия акумулаторите продукт.
2. Не разглобявайте акумулаторите.
3. Ако мощността на машината намалее много, веднага спрете да работите. Това може да доведе до риск от прегряване, до възможни изгаряния и даже до експлозии.
4. Ако в очите ви попадне електролит, изплакнете ги с чиста вода и веднага потърсете лекарска помощ. Това може да доведе до загуба на зрението ви.
5. Не давайте на късо акумулаторите:
  - (1) Не докосвайте клемите с проводими материали.
  - (2) Избягвайте съхраняването на акумулаторите в контейнер с други метални предмети като пирони, монети и други подобни.
  - (3) Не излагайте акумулаторите на вода или дъжд.

Закъсяването на акумулатор може да доведе до протичане на много силен ток, до прегряване, до възможни изгаряния и даже до разпадане на акумулатора.

## ЗАПАЗЕТЕ НАСТОЯЩИТЕ ИНСТРУКЦИИ.

Съвети за поддържане на максимално дълъг живот на акумулаторите

1. Зареждайте акумулаторите преди те да са се разредили напълно. Когато забележите, че мощността на инструмента намалява, винаги спирайте работата с инструмента и заредете акумулатора.
2. Никога не презареждайте напълно зареден акумулатор. Презарядът скъсява експлоатационния живот на акумулаторите.
3. Зареждайте акумулаторите на стайна температура при 10 ° C - 40 ° C (50 ° F - 104 ° F). Оставете загретите акумулатори да се охлаждат преди да ги зареждате.
4. Зареждайте акумулаторната батерия, ако няма да я използвате продължително време (над шест месеца).

## ФУНКЦИОНАЛНО ОПИСАНИЕ

### ⚠ВНИМАНИЕ:

- Преди да регулирате или проверявате работата на инструмента, задължително проверете дали той е изключен и акумулаторната батерия е извадена.

### Поставяне и изваждане на акумулаторната батерия

Фиг.1

### ⚠ВНИМАНИЕ:

- Винаги изключвайте инструмента преди поставяне или изваждане на батерията.
- При инсталиране или изваждане на акумулатора хванете здраво инструмента и акумулатора. Ако не успеете здраво да задържите инструмента и акумулатора, те могат да се изплъзнат от ръцете ви, което да доведе до повреждане на инструмента, акумулатора или нараняване.

За да извадите акумулаторната батерия, приплъзнете я извън инструмента, плъзгайки същевременно бутона в предната част на батерията. За да поставите акумулатора, изравнете езичето на акумулатора с жлеба в корпуса и го плъзнете на мястото му. Вмъкнете го докрай, докато ключалката го задържи на място с малко прищракване. В случай, че виждате червения индикатор в горната част на бутона, това означава, че той не е заключен напълно.

### ⚠ВНИМАНИЕ:

- Винаги вмъквайте акумулатора докрай, така че червеният индикатор да се скрие. В противен случай, той може неволно да изпадне, което може да нарани вас или някого около вас.
- Не инсталирайте акумулатора със сила. Ако акумулаторът не се движи свободно, той не е бил поставен правилно.

### Система за предпазване на батерията (литиево-йонна батерия, обозначена със звезда)

Фиг.2

Литиево-йонните батерии, обозначени със звезда са снабдени със система за предпазване. Тази система автоматично прекъсва захранването на инструмента за да осигури по-дълъг живот на батерията. Инструментът ще спре автоматично по време на работа, ако инструментът и/или батерията са поставени при едно от следните условия:

- Претоварване:  
Инструментът се използва по начин, който налага използването на наднормен ток. При това положение, отпуснете лостчето на ключа/спуська на инструмента и спрете операцията, която претоварва инструмента. След това натиснете отново

лостчето на ключа/спуська, за да пуснете отново инструмента.

Ако инструментът не стартира отново, батерията е прегряла. При това положение, оставете батерията да изстине и натиснете лостчето на ключа/спуська отново.

- Ниско напрежение на батерията:  
Оставащият в батерията капацитет е твърде малък, за да може да осигури работа на инструмента. При такъв случай, извадете и заредете батерията.

### Индикация на оставащия капацитет на акумулаторната батерия

(Само за акумулаторни батерии с обозначение "B" след номера на модела.)

Фиг.3

Натиснете бутона за проверка на акумулаторната батерия, за да се покаже оставащият капацитет на акумулаторната батерия. Индикаторите ще светят няколко секунди.

Светлинни индикатори			Оставащ капацитет
Свети	Изкл.	Мига	
■	□	▧	75 % до 100 %
■	■	□	50 % до 75 %
■	■	□	25 % до 50 %
■	□	□	0 % до 25 %
▧	□	□	Заредете акумулаторната батерия.
■	■	□	Възможна повреда на акумулаторната батерия.
□	□	■	

015658

### ЗАБЕЛЕЖКА:

- В зависимост от условията на употреба и околната температура, възможно е показанието леко да се различава от действителния капацитет.

### Включване

### ⚠ВНИМАНИЕ:

- Преди да поставите батерията в инструмента, винаги проверявайте дали лостчето на ключа/спуськът работят нормално и се връщат в положение "OFF" ("ИЗКЛ.") при отпускане.

### Фиг.4

За избягване на случайно задействане на лостчето на ключа/спуська са предвидени блокиращо лостче и бутон.



За да включите инструмента, натиснете лостчето на ключа или спусъка.

- За лостчето на ключа, задействайте блокиращото лостче и след това – лостчето на ключа, за да пуснете инструмента.
- За спусъка на прекъсвача, натиснете блокиращия бутон и след това – спусъка на прекъсвача, за да пуснете инструмента. Блокиращият бутон може да бъде натискан отляво или отдясно.

Скоростта на инструмента се увеличава с увеличаване на натиска върху лостчето на ключа/спусъка. За спиране отпуснете лостчето на ключа/спусъка.

#### **ЗАБЕЛЕЖКА:**

Не задействайте прекалено силно лостчето на ключа/спусъка, без да сте задействали блокиращото лостче/бутон. Това може да предизвика повреждане на ключа.

### **Включване на предната лампичка**

#### **Фиг.5**

#### **⚠ВНИМАНИЕ:**

• Не гледайте директно в светлинния източник. Натиснете лостчето на ключа/спусъка, за да включите лампата. Лампата свети, докато лостчето на ключа/спусъка са натиснати. Лампата се самоизключва 10-15 секунди след като отпуснете лостчето на ключа/спусъка.

### **Регулиране на опората**

#### **Фиг.6**

Когато ножът започне да губи режещата си ефективност на едно място по острието си, преместете ботуша, за да използвате остра неупотребявана част от острието. Това ще помогне за удължаване на експлоатационния живот на ножа. За да преместите ботуша, разхлабете болта с помощта на шестограмен ключ. Плъзнете ботуша в нужното положение и след това притегнете болта здраво.

## **СГЛОБЯВАНЕ**

#### **⚠ВНИМАНИЕ:**

- Преди да извършите някакви дейности по инструмента задължително проверете дали той е изключен и акумулаторната батерия е извадена.

### **Монтаж/демонтаж на режещия нож**

#### **⚠ВНИМАНИЕ:**

- Винаги почиствайте всички стружки или други частици, полепнали по ножа, държача и/или плъзгача. В противен случай това може да доведе до недостатъчно затягане на ножа и в резултат до сериозно нараняване.

### **За модел DJR143, DJR183**

#### **Фиг.7**

Вмъкнете до упор ножа за триона в скобата на държача. Втулката на скобата на държача се върти и затяга ножа. Убедете се, че ножът не може да изскочи, дори ако се опитате да го издърпате.

#### **⚠ВНИМАНИЕ:**

- Ако не сте поставили ножа достатъчно дълбоко, по време на работа ножът може да бъде неочаквано изхвърлен. Това може да бъде особено опасно.

#### **ЗАБЕЛЕЖКА:**

- Не може да използвате ножа за прободен трион с моделите DJR143 или DJR183.

#### **Фиг.8**

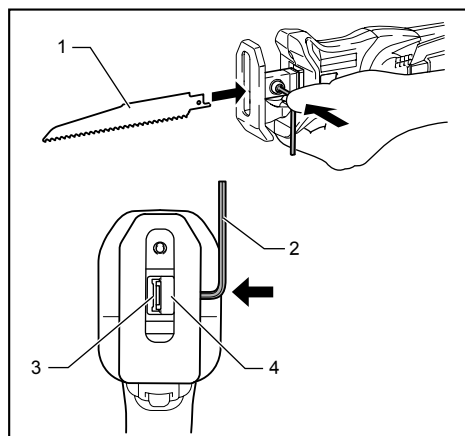
За да демонтирате ножа, завъртете втулката на скобата на държача докрай по посока на стрелката. Ножът се изважда, а втулката на скобата за затягане на ножа се фиксира в отключено положение.

#### **ЗАБЕЛЕЖКА:**

- Ако сваляте ножа без завъртане на втулката на скобата на държача докрай, втулката може да не се фиксира. В този случай въртете втулката на скобата за затягане на ножа, след което втулката се фиксира в отключено положение.

### **За модел DJR145, DJR185**

#### **Фиг.9**

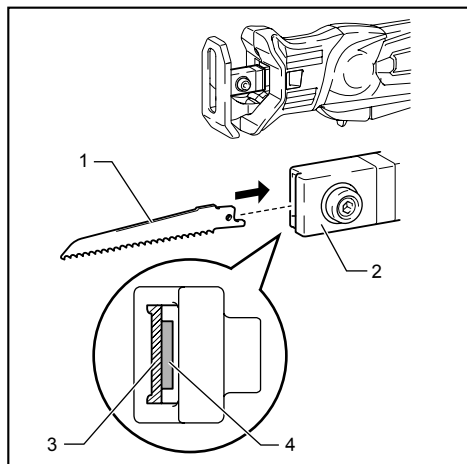


1. Нож за трион
2. Имбусен ключ
3. Отвор за трион
4. Скоба на ножа

014048

За да монтирате ножа, разхлабете болта с помощта на шестограмен ключ.

При поставяне на ножа за триона, натиснете болта с шестограменния ключ, за да се отвори прореза при поставянето на ножа.



1. Циркулярен диск
2. Скоба на ножа
3. Отвор за трион
4. Отвор за ножа на прободен трион

014047

#### Фиг.10

Можете да използвате както ножове за прободен трион (тип В), така и ножове на трион, в зависимост от работата. Вмъкнете до упор ножа в скобата на държача и го притегнете с шестограмния ключ. Натиснете леко ножа, за да се удебите, че той няма да изпадне по време на работа.

За да демонтирате ножа, изпълнете процедурата за монтаж в обратен ред.

#### Място за поставяне на шестостенния ключ

##### Фиг.11

За да не изгубите шестостенния ключ, когато не го използвате, поставете го на мястото показано на фигурата.

## РАБОТА

### ⚠ВНИМАНИЕ:

- По време на работа винаги притискайте плътно ботуша към работното изделие. Ако по време на работа, ботушът се намира далече от работното изделие, ще възникне силна вибрация и/или огъване, което може да предизвика опасно счупване на ножа.
- При рязане на метал винаги носете ръкавици, за да предпазвате ръцете си от летящи горещи стружки.
- Винаги използвайте подходящо оборудване за защита на очите, отговарящо на текущите национални стандарти.
- При рязане на метал винаги използвайте подходяща смазочно-охлаждаща емулсия (масло за металорежещи машини). Неспазването на това изискване ще причини преждевременно износване на ножа.

#### Фиг.12

Натиснете плътно ботуша към работното изделие. Не допускайте отскачане на инструмента. Осъществете контакт на ножа с работното изделие без прекомерен натиск. Първо направете водеща бразда, като използвате по-ниска скорост. След това използвайте по-висока скорост, за да продължите рязането.

#### Фиг.13

#### Фиг.14

- Можете да използвате лостчето на ключа или спуська, в съответствие с изискванията на работата.

#### ЗАБЕЛЕЖКА:

- Ако инструментът е бил използван без прекъсване до разреждане на батерията, оставете го в покой за 15 минути преди продължаване на работа с нова заредена батерия.

## ПОДДРЪЖКА

### ⚠ВНИМАНИЕ:

- Преди да проверявате или извършвате поддръжка на инструмента се уверете, че той е изключен и акумулаторната батерия е извадена.
- Не използвайте бензин, нафта, разреждител, спирт и др. под. Това може да причини обезцветяване, деформация или пукнатини.

За да се поддържа БЕЗОПАСНОСТТА и НАДЕЖНОСТТА на инструмента, ремонтите, обслужването или регулирането трябва да се извършват от упълномощен сервиз на Makita, като се използват резервни части от Makita.

## ДОПЪЛНИТЕЛНИ АКСЕСОАРИ

### ⚠ВНИМАНИЕ:

- Препоръчва се използването на тези аксесоари или крайници с вашия инструмент Makita, описан в настоящото ръководство. Използването на други аксесоари или крайници може да доведе до опасност от телесни наранявания. Използвайте съответния аксесоар или крайник само по предназначение.

Ако имате нужда от помощ за повече подробности относно тези аксесоари, се обърнете към местния сервизен център на Makita.

- Ножове за електрическа ножовка
- Ножове за прободен трион (само за модел DJR145, DJR185)
- Оригинална акумулаторна батерия и зарядно устройство на Makita

#### ЗАБЕЛЕЖКА:

- Някои артикули от списъка може да са включени в комплекта на инструмента, като стандартни аксесоари. Те може да са различни в различните държави.

## HRVATSKI (Originalne upute)

### Objašnjenje općeg pogleda

1-1. Crveni indikator	4-3. Preklopna poluga	8-1. List pile
1-2. Gumb	4-4. Uključno-isključna sklopka	8-2. Zatezni tuljak lista
1-3. Baterija	5-1. Svjetiljka	9-1. Imbus-ključ
2-1. Zvezdasta oznaka	6-1. Imbus-ključ	9-2. Matični vijak
3-1. Lampice pokazatelja	6-2. Šesterorubni vijak	9-3. Otpustiti
3-2. Gumb PROVJERA	6-3. Otpustiti	9-4. Stegnuti
4-1. Gumb za deblokadu	7-1. List pile lisičiji rep	11-1. Imbus-ključ
4-2. Poluga za blokadu	7-2. Zatezni tuljak lista	11-2. Ispupčenja

## SPECIFIKACIJE

Model	DJR143	DJR145	DJR183	DJR185
Pomak lista pila	13 mm			
Udara po minuti ( $\text{min}^{-1}$ )	0 - 3.000			
Najveći učinak rezanja	Cijev	50 mm		
	Drvo	50 mm		
Standardna baterija	BL1415 / BL1415N / BL1430 / BL1430B / BL1440 / BL1450 / BL1460B		BL1815 / BL1815N / BL1820 / BL1820B / BL1830 / BL1830B / BL1840 / BL1840B / BL1850 / BL1850B / BL1860B	
Ukupna duljina	392 mm (s BL1415 / BL1415N)		392 mm (s BL1815 / BL1815N / BL1820 / BL1820B)	
	397 mm (s BL1430 / BL1430B / BL1440 / BL1450 / BL1460B)		398 mm (s BL1830 / BL1830B / BL1840 / BL1840B / BL1850 / BL1850B / BL1860B)	
Neto masa	1,5 kg (s BL1415 / BL1415N)		1,5 kg (s BL1815 / BL1815N / BL1820 / BL1820B)	
	1,7 kg (s BL1430 / BL1430B / BL1440 / BL1450 / BL1460B)		1,8 kg (s BL1830 / BL1830B / BL1840 / BL1840B / BL1850 / BL1850B / BL1860B)	
Nazivni napon	DC 14,4 V		DC 18 V	

- Zahvaljujući stalnom programu istraživanja i razvoja, ovdje navedeni tehnički podaci su podložni promjeni bez prethodne najave.
- Tehnički podaci i baterija mogu se razlikovati ovisno o zemlji.
- Masa s baterijom prema EPTA postupku 01/2003

ENE020-1

### Namjena

Alat je namijenjen za piljenje drvenih, plastičnih i željeznih materijala.

ENG905-1

### Buka

Tipična jačina buke označena s A, određena sukladno EN60745:

#### Model DJR143, DJR185

Razina zvučnog tlaka ( $L_{pA}$ ): 76 dB (A)

Neodređenost (K): 3 dB (A)

Razina buke u radu može prelaziti 80 dB (A).

#### Model DJR145, DJR183

Razina zvučnog tlaka ( $L_{pA}$ ): 77 dB (A)

Neodređenost (K): 3 dB (A)

Razina buke u radu može prelaziti 80 dB (A).

### Nosite zaštitu za uši

ENG900-1

### Vibracija

Ukupna vrijednost vibracija (troosni vektorski zbir) izračunata u skladu s EN60745:

#### Model DJR143, DJR145

Način rada : rezanje daski

Emisija vibracija ( $a_{h,WB}$ ): 7,0  $\text{m/s}^2$

Neodređenost (K): 1,5  $\text{m/s}^2$

Način rada : rezanje drvenih greda

Emisija vibracija ( $a_{h,WB}$ ): 7,0  $\text{m/s}^2$

Neodređenost (K): 1,5  $\text{m/s}^2$

#### Model DJR183, DJR185

Način rada : rezanje daski

Emisija vibracija ( $a_{h,B}$ ): 8,0  $\text{m/s}^2$

Neodređenost (K): 1,5  $\text{m/s}^2$

Način rada : rezanje drvenih greda  
 Emisija vibracija ( $a_{h,wb}$ ): 7,0 m/s<sup>2</sup>  
 Neodređenost (K): 1,5 m/s<sup>2</sup>

ENG901-1

- Deklarirana vrijednost emisije vibracija je izmjerena sukladno standardnoj metodi testiranja i može se rabiti za usporedbu jednog alata s drugim.
- Deklarirana vrijednost emisije vibracija također se može rabiti za preliminarnu procjenu izloženosti.

### ⚠ UPOZORENJE:

- Emisija vibracija tijekom stvarnog korištenja električnog ručnog alata se može razlikovati od deklarirane vrijednosti emisije, ovisno o načinu na koji se alat rabi.
- Nemojte zaboraviti da identifikirate sigurnosne mjere zaštite rukovatelja koje se temelje na procjeni izloženosti u stvarnim uvjetima korištenja (uzimajući u obzir sve dijelove radnog ciklusa, poput vremena kada je alat isključen i kada on radi u praznom hodu, a također i vrijeme okidanja).

ENH101-17

### Samo za europske zemlje

### EZ Izjava o sukladnosti

Tvrtka Makita izjavljuje da su sljedeći strojevi:

Naziv stroja:

Bežična pila lisičji rep

Broj modela/Vrsta: DJR143, DJR145, DJR183, DJR185

Usklađeni sa sljedećim europskim smjernicama:

2006/42/EZ

Proizvedeni su u skladu sa sljedećim standardima ili standardiziranim dokumentima:

EN60745

Tehnička datoteka u skladu s 2006/42/EZ dostupna je na sljedećoj adresi:

Makita, Jan-Baptist Vinkstraat 2, 3070, Belgija

31.12.2013



000331

Yasushi Fukaya

Direktor

Makita, Jan-Baptist Vinkstraat 2, 3070, Belgium

GEA010-1

## Opća sigurnosna upozorenja za električne ručne alate

⚠ UPOZORENJE Pročitajte sva sigurnosna upozorenja i sve upute. Nepridržavanje upozorenja ili uputa može rezultirati električnim udarom, požarom i/ili ozbiljnom ozljedom.

Sačuvajte sva upozorenja i upute radi kasnijeg korištenja.

## SIGURNOSNA UPOZORENJA ZA BEŽIČNU PILU LISIČJI REP

1. **Držite električni ručni alat za izolirane rukohvatne površine kada izvodite operaciju pri kojoj rezni dodatak može doći u dodir sa skrivenim vodičima.** Rezni dodatak koji dođe u dodir s vodičem pod naponom može dovesti pod napon izložene metalne dijelove električnog ručnog alata i prouzročiti električni udar rukovatelja.
2. **Koristite stezaljke ili drugi praktičan način da osigurate i učvrstite izradak na stabilnoj platformi.** Držanje izratka rukom ili uz tijelo čini ga nestabilnim i može dovesti do gubitka kontrole.
3. **Uvijek koristite zaštitne naočale.** Obične ili sunčane naočale NISU zaštitne naočale.
4. **Izbjegavajte rezanje čavala.** Prije rada provjerite ima li u izratku bilo kakvih čavala i uklonite ih prije rada.
5. **Nemojte rezati prevelike izratke.**
6. **Prije rezanja provjerite razmak iza izratka tako da oštrica ne udara u stol, klupicu za rad i slično.**
7. **Alat držite čvrsto.**
8. **Prije nego što se sklopka uključi, pazite da list ne dodiruje izradak.**
9. **Držite ruke podalje od dijelova koji se kreću.**
10. **Ne ostavljajte alat da radi.** Radite s alatom samo tako što ga držite rukom.
11. **Prije uklanjanja lista iz izratka uvijek isključite i pričekajte da se nož u potpunosti zaustavi.**
12. **Ne dodirujte list ili izradak odmah nakon rada; mogu biti izuzetno vrući i mogli bi vam opeći kožu.**
13. **Ne ostavljajte alat da radi bez opterećenja, ako to nije potrebno.**
14. **Uvijek koristite ispravnu masku za prašinu/respirator za materijal s kojim radite i namjenu.**
15. **Neki materijal sadrži kemikalije koje mogu biti toksične.** Poduzmite potrebne mjere opreza da bi se spriječilo udisanje prašine i dodir s kožom. Slijedite sigurnosne podatke od dobavljača materijala.

## ČUVAJTE OVE UPUTE.

### ⚠ UPOZORENJE:

NEMOJTE dozvoliti da udobnost ili znanje o proizvodu (stečeno stalnim korištenjem) zamijene strogo pridržavanje sigurnosnih propisa za određeni proizvod. ZLOPORABA ili nepridržavanje sigurnosnih propisa navedenih u ovom priručniku s uputama mogu prouzročiti ozbiljne ozljede.

## VAŽNE SIGURNOSNE UPUTE

### ZA BATERIJU

1. Prije uporabe baterije pročitajte sve upute i oznake upozorenja na (1) punjaču za baterije, (2) bateriji i (3) proizvođaču koji koristi bateriju.
2. Ne rastavljajte bateriju.
3. Ako se vrijeme rada znatno skratilo, odmah prestanite raditi. Može postojati rizik od pregrijavanja, mogućih opekлина, a čak i eksplozije.
4. Ako vam elektrolit dospije u oči, isperite ih bistrom vodom i odmah se obratite liječniku. Tako možete izgubiti vid.
5. Ne spajajte kratko bateriju:
  - (1) Ne dodirujte terminale nikakvim provodljivim materijalima.
  - (2) Ne čuvajte bateriju u spremniku s drugim metalnim predmetima poput čavala, kovanica itd.
  - (3) Ne izlažite bateriju vodi ili kiši.
 Kratki spoj baterije može uzrokovati velik protok struje, pregrijavanje, moguće opekline, a čak i kvar.
6. Ne čuvajte alat i bateriju na mjestima gdje temperatura može prekoračiti 50 ° C (122 ° F).
7. Ne spaljujte bateriju čak ni ako je ozbiljno oštećena ili potpuno potrošena. Baterija može eksplodirati na vatri.
8. Pazite da vam baterija ne ispadne ili da je ne udarite.
9. Ne koristite oštećene baterije.
10. Pridržavajte se lokalnih propisa pri odlaganju baterije.

### ČUVAJTE OVE UPUTE.

#### Savjeti za održavanje najduljeg vijeka trajanja baterije

1. Napunite bateriju prije nego što se potpuno isprazni.  
Uvijek zaustavite alat i napunite bateriju kad primijetite da alat slabije radi.
2. Nikad ne puniti potpuno punu bateriju.  
Prepunjenje skraćuje radni vijek baterije.
3. Puniti bateriju na sobnoj temperaturi od 10 ° C - 40 ° C (50 ° F - 104 ° F). Ostavite da se vruća baterija ohladi prije punjenja.
4. Napunite bateriju ako je ne upotrebljavate duže vrijeme (više od šest mjeseci).

## FUNKCIONALNI OPIS

### ⚠OPREZ:

- Obavezno provjerite je li stroj isključen i baterija uklonjena prije podešavanja ili provjere funkcije na alatu.

### Instalacija ili uklanjanje baterije

#### SI.1

### ⚠OPREZ:

- Uvijek isključite alat prije instalacije ili uklanjanja baterije.
- **Čvrsto držite alat i bateriju dok instalirate ili uklanjate bateriju.** Ako ne držite čvrsto alat i bateriju, mogu vam iskliznuti uz ruku, što može uzrokovati štetu alata ili baterije i ozljede.

Za uklanjanje baterije, gurnite je iz alata, pritiskom tipke na prednjoj strani uloška.

Za instalaciju baterije poravnajte jezičac na bateriji s utorom na kućištu i gurnite ga na mjesto. Gurajte ga do kraja dok ne sjedne na mjesto uz mali klik. Ako možete vidjeti crveni indikator na gornjoj strani tipke, to znači da baterija nije zaključana u potpunosti.

### ⚠OPREZ:

- Uvijek instalirajte bateriju dok kraja tako da ne možete vidjeti crveni indikator. U suprotnom može slučajno ispasti iz alata, što može dovesti do ozljede vas ili nekog u blizini.
- Ne instalirajte bateriju silom. Ako baterija ne klizne lagano, znači da nije ispravno umetnuta.

### Sustav zaštite baterije (litij-ionska baterija sa zvjezdicom)

#### SI.2

Litij-ionske baterije sa zvjezdicom opremljene su sustavom zaštite. Ovaj sustav automatski prekida napajanje alata da bi produžio vijek trajanja baterije.

Alat automatski prestaje raditi ako se alat i / ili baterija nađu u sljedećim uvjetima:









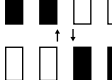
- Pod opterećenjem:  
Alat radi na način koji uzrokuje abnormalno visoku struju.  
U ovoj situaciji otpustite uključno/isključnu ručicu/sklopku na alatu i zaustavite primjenu koja je izazvala preopterećenje alata. Zatim ponovno povucite uključno/isključnu ručicu/sklopku za ponovno pokretanje.  
Ako se alat ne pokrene, baterija je pregrijana. U ovoj situaciji pričekajte da se baterija ohladi prije nego što opet povučete uključno/isključnu ručicu/sklopku .
- Slab napon baterije:  
Preostali kapacitet baterije je prenizak i alat neće raditi. U ovoj situaciji, uklonite i napunite akumulator.

## Prikaz preostalog kapaciteta baterije

(Samo za baterije s oznakom "B" na kraju broja modela.)

### SI.3

Pritisnite tipku za provjeru na bateriji da bi se pokazao preostali kapacitet baterije. Žaruljice indikatora zasvijetlit će na nekoliko sekundi.

Lampice pokazatelja			Preostali kapacitet
 Upaljeno	 Isključeno	 Treperi	
			75 % do 100 %
			50 % do 75 %
			25 % do 50 %
			0 % do 25 %
			Napunite bateriju.
			Baterija možda ne radi ispravno.

015658

### NAPOMENA:

- Ovisno o uvjetima upotrebe i temperaturi okoline, pokazatelj se može donekle razlikovati od stvarnog kapaciteta.

## Uključivanje i isključivanje

### △OPREZ:

- Prije postavljanja baterije u alat uvijek provjerite radi li uključno/isključna ručica/sklopka ispravno i vraća li se u položaj za isključivanje „OFF" nakon otpuštanja.

### SI.4

Kako bi se spriječilo slučajno povlačenje uključno/isključne ručice/sklopke, uključena je ručica/gumb za zaključavanje.

Za pokretanja alata povucite uključno/isključnu ručicu ili sklopku.

- Za uključno/isključnu ručicu, povucite ručicu za zaključavanje i zatim povucite uključno/isključnu ručicu za pokretanje alata.
- Za uključno/isključnu sklopku, pritisnite gumb za zaključavanje pa povucite uključno/isključnu sklopku za pokretanje alata. Gumb za zaključavanje može se pritisnuti i s desna i s lijeva.

Brzina alata povećava se povećanjem pritiska na uključno/isključnoj ručici/sklopki. Otpustite uključno/isključnu ručicu/sklopku za isključivanje.

### NAPOMENA:

Nemojte jako povlačiti uključno/isključnu ručicu/sklopku bez povlačenja ručice/gumba za zaključavanje. Tako možete odlomiti prekidač.

## Uključuje se prednja žaruljica

### SI.5

#### △OPREZ:

- Nemojte izravno gledati u svjetlo ili izvor svjetlosti. Povucite uključno/isključnu ručicu/sklopku da bi se uključila žaruljica. Žaruljica ostaje uključena dok god se povlači uključno/isključna ručica/sklopka. Žaruljica se automatski isključuje 10-15 sekundi nakon otpuštanja uključno/isključne ručice/sklopke.

## Prilagođavanje papučice

### SI.6

Kad list izgubi učinkovitost rezanja na jednom mjestu uz rezn rub, premjestite papučicu da biste iskoristili oštri, neiskorišteni dio reznog ruba. Na ovaj će se način produžiti radni vijek pile. Za premještanje papučice otpustite vijak inbus ključem. Pomaknite papučicu na željeno mjesto i zatim čvrsto stegnite vijak.

## MONTAŽA

### △OPREZ:

- Obavezno provjerite je li stroj isključen i baterija uklonjena prije nego što izvedete bilo kakav rad na alatu.

## Instalacija ili uklanjanje lista pile

### △OPREZ:

- Uvijek očistite sve krhotine i druge tvari koje prijavaju na list, stezaljku lista i/ili klizač. Ako to ne učinite, može doći do nedovoljnog zatezanja oštrice, što može uzrokovati ozbiljne ozljede.

### Za model DJR143, DJR183

### SI.7

Umetnite list pile lisičji rep u držač lista što dalje. Pinola držača lista rotira se i fiksira list pile. List pile ne bi smio izaći čak i ako ga pokušate izvući.

### △OPREZ:

- Ako ne umetnete pilu dovoljno duboko, može doći do neočekivanog izbacivanja tijekom rada. To može biti vrlo opasno.

### NAPOMENA:

- Ne možete koristiti list ubodne pile s modelom DJR143 ili DJR183.

### SI.8

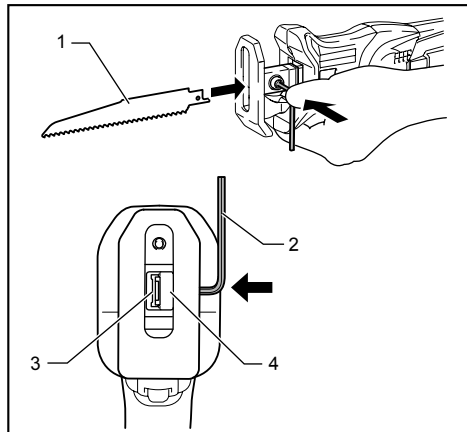
Za uklanjanje lista pile zakrenite pinolu držača lista u potpunosti u smjeru strelice. List pile se ukloni, a pinola držača lista ostane fiksirana u otpuštenom položaju.

### NAPOMENA:

- Ako uklonite list pile bez zakretanja pinole držača lista u potpunosti, pinola se možda neće fiksirati. U tom slučaju zakrenite u potpunosti pinolu držača lista i zatim fiksirajte pinolu na otpuštenom položaju.

## Za model DJR145, DJR185

### SI.9

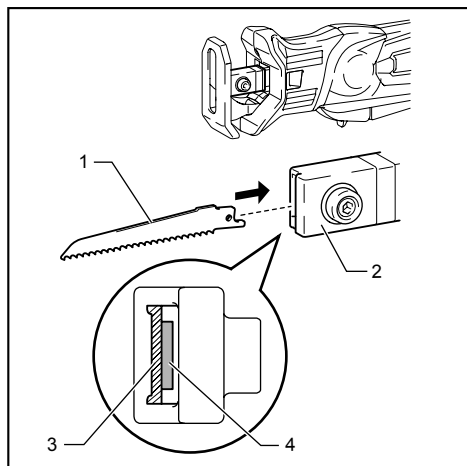


1. List pile lisiči rep
2. Imbus-ključ
3. Rupa za list pile lisiči rep
4. Stezaljka lista

014048

Za instalaciju lista pile otpustite vijak imbus ključem.

Kad instalirate list pile lisiči rep, pritisnite vijak imbus ključem za otvaranje proreza tijekom umetanja lista.



1. List pile
2. Stezaljka lista
3. Rupa za list pile lisiči rep
4. Rupa za list ubodne pile

014047

### SI.10

Možete koristiti i listove ubodne pile (B vrsta) i listove pile lisiči rep u skladu s poslom. Umetnite list pile ravno u držač lista i zategnite ga imbus ključem. Lagano povucite list pile kako biste se uvjerili da list pile neće ispasti tijekom rada.

Da biste skinuli list pile, primijenite obrnuti redoslijed montaže.

### Čuvanje imbus ključa

#### SI.11

Kad se ne koristi, držite imbus ključ kao što je prikazano na slici da ga ne biste izgubili.

## RAD SA STROJEM

### ⚠OPREZ:

- Uvijek čvrsto pritisnite papučicu na izradak tijekom rada. Ako je papučica udaljena od izratka tijekom rada, može doći do vibracija i/ili uvijanja što može uzrokovati opasno pucanje pile.
- Uvijek nosite rukavice da biste zaštitili ruke od vrućih letećih strugotina pri rezanju metala.
- Uvijek nosite odgovarajuću zaštitu za oči koja odgovara trenutnim nacionalnim standardima.
- Pri rezanju metala uvijek koristite prikladnu rashladnu tekućinu (ulje za rezanje). Ako to ne učinite, doći će do preranog trošenja lista.

#### SI.12

Pritisnite papučicu čvrsto na izradak. Pazite da alat ne odskoči. Lagano postavite list pile u kontakt s izratkom. Prvo napravite probni žlijeb koristeći manju brzinu. Potom koristite veću brzinu za nastavak rezanja.

#### SI.13

#### SI.14

- Možete koristiti uključno/isključnu ručicu ili sklopku u skladu s poslom.

### NAPOMENA:

- Ako alat kontinuirano radi sve dok se baterija ne isprazni, ostavite alat da odstoji 15 minuta prije nastavka s novom baterijom.

## ODRŽAVANJE

### ⚠OPREZ:

- Prije svih zahvata na stroju provjerite jeste li isključili stroj i uklonili bateriju.
- Nikada nemojte koristiti benzin, mješavinu benzina, razrjeđivač, alkohol ili slično. Kao rezultat toga može se izgubiti boja, pojaviti deformacija ili pukotine.

Da biste zadržali SIGURNOST I POUZDANOST proizvoda, održavanje ili namještanja morate prepustiti ovlaštenim Makita servisnim centrima, uvijek rabite originalne rezervne dijelove.

## DODATNI PRIBOR

### OPREZ:

- Ovaj dodatni pribor ili priključci se preporučuju samo za uporabu sa Vašim Makita strojem preciziranim u ovom priručniku. Uporaba bilo kojih drugih pribora ili priključaka može donijeti opasnost od ozljeda. Rabite dodatak ili priključak samo za njegovu navedenu namjenu.

Ako Vam je potrebna pomoć za više detalja u pogledu ovih dodatnih pribora, obratite se najbližem Makita servisnom centru.

- Listovi pile lisičji rep
- Listovi ubodne pile (samo za model DJR145, DJR185)
- Izvorna Makita baterija i punjač

### NAPOMENA:

- Neke stavke iz popisa se mogu isporučiti zajedno sa strojem kao standardni dodatni pribori. Oni mogu biti različiti ovisno o zemlji.



## МАКЕДОНСКИ (Оригинални упатства)

### Опис на оштиот преглед

1-1. Црвен индикатор	4-3. Копче за вклучување/ исклучување	8-1. Сечило за пила
1-2. Копче		8-2. Влошка за стегата на ножот
1-3. Батерија	4-4. Прекинувач	9-1. Имбус клуч
2-1. Ознака со ѕвезда	5-1. Ламба	9-2. Завртка
3-1. Светилки за индикација	6-1. Имбус клуч	9-3. Разлабавете
3-2. Копче за ПРОВЕРКА	6-2. Шестоаголна завртка	9-4. Стегач
4-1. Копче за забравување	6-3. Разлабавете	11-1. Имбус клуч
4-2. Рачка за блокирање	7-1. Сечило на реципрочната пила	11-2. Испакнувања
	7-2. Влошка за стегата на ножот	

## ТЕХНИЧКИ ПОДАТОЦИ

Модел		DJR143	DJR145	DJR183	DJR185
Должина на удар		13 мм			
Удари во минута (мин. <sup>-1</sup> )		0 - 3.000			
Макс. капацитет за сечење	Цевка	50 мм			
	Дрво	50 мм			
Стандардна батерија		BL1415 / BL1415N / BL1430 / BL1430B / BL1440 / BL1450 / BL1460B		BL1815 / BL1815N / BL1820 / BL1820B / BL1830 / BL1830B / BL1840 / BL1840B / BL1850 / BL1850B / BL1860B	
Вкупна должина		392 мм (со BL1415 / BL1415N)		392 мм (со BL1815 / BL1815N / BL1820 / BL1820B)	
		397 мм (со BL1430 / BL1430B / BL1440 / BL1450 / BL1460B)		398 мм (со BL1830 / BL1830B / BL1840 / BL1840B / BL1850 / BL1850B / BL1860B)	
Нето тежина		1,5 кг (со BL1415 / BL1415N)		1,5 кг (со BL1815 / BL1815N / BL1820 / BL1820B)	
		1,7 кг (со BL1430 / BL1430B / BL1440 / BL1450 / BL1460B)		1,8 кг (со BL1830 / BL1830B / BL1840 / BL1840B / BL1850 / BL1850B / BL1860B)	
Номинален напон		D.C. 14,4 V		D.C. 18 V	

- Поради постојаното истражување и развој, техничките податоци дадени тука може да се менуваат без известување.
- Спецификациите и батеријата може да се разликуваат од земја до земја.
- Тежина со батерија според ЕРТА-Procedure 01/2003

ENE020-1

### Намена

Алатот е наменет за пилење дрвени, пластични и железни материјали.

ENG905-1

### Бучава

Типичната А-вредност за ниво на бучавата одредена според EN60745 изнесува:

#### Модел DJR143, DJR185

Ниво на звучниот притисок ( $L_{pA}$ ): 76 дБ (А)

Отстапување (К): 3 дБ (А)

Нивото на бучава при работа може да надмине 80 дБ (А).

#### Модел DJR145, DJR183

Ниво на звучниот притисок ( $L_{pA}$ ): 77 дБ (А)

Отстапување (К): 3 дБ (А)

Нивото на бучава при работа може да надмине 80 дБ (А).

### Носете штитници за ушите

ENG900-1

### Вибрации

Вкупна вредност на вибрациите (векторска сума на три оски) одредена според EN60745:

#### Модел DJR143, DJR145

Работен режим : сечење штици

Ширење вибрации ( $a_{hB}$ ): 7,0  $m/c^2$

Отстапување (К): 1,5  $m/c^2$

Работен режим : сечење дрвени греди

Ширење вибрации ( $a_{hWB}$ ): 7,0  $m/c^2$

Отстапување (К): 1,5  $m/c^2$

**Модел DJR183, DJR185**

Работен режим : сечење штици  
 Ширење вибрации ( $a_{h,v}$ ): 8,0 м/с<sup>2</sup>  
 Отстапување (К): 1,5 м/с<sup>2</sup>

Работен режим : сечење дрвени греди  
 Ширење вибрации ( $a_{h,vB}$ ): 7,0 м/с<sup>2</sup>  
 Отстапување (К): 1,5 м/с<sup>2</sup>

ENG901-1

- Номиналната јачина на вибрациите е измерена во согласност со стандардните методи за испитување и може да се користи за споредување на алати.
- Номиналната јачина на вибрациите може да се користи и како прелиминарна проценка за изложеност.

**⚠ ПРЕДУПРЕДУВАЊЕ:**

- Јачината на вибрациите при фактичкото користење на алатот може да се разликува од номиналната вредност, зависно од начинот на којшто се користи алатот.
- Погрижете се да ги утврдите безбедносните мерки за заштита на операторот врз основа на проценка на изложеноста при фактичките услови на употреба (земајќи ги предвид сите делови на работниот циклус, како периодите кога алатот е исклучен и кога работи во празен од, не само кога е активен).

ENH101-17

**Само за земјите во Европа****Декларација за сообразност за ЕУ**

**Makita** изјавува дека следната машина(и):

Ознака на машината:

Безжична реципрочна пила

Модел бр./ Тип: DJR143, DJR145, DJR183, DJR185

**Усогласени се со следниве европски Директиви:**  
 2006/42/EC

Тие се произведени во согласност со следниве стандарди или стандардизирани документи:  
 EN60745

Техничкото досие во согласност со 2006/42/EC е достапно преку:

Makita, Jan-Baptist Vinkstraat 2, 3070, Belgium

31.12.2013



000331

Yasushi Fukaya  
 Директор

Makita, Jan-Baptist Vinkstraat 2, 3070, Belgium

**Општи упатства за безбедност за електричните алати**

**⚠ ПРЕДУПРЕДУВАЊЕ** Прочитајте ги сите безбедносни предупредувања и сите упатства. Ако не се почитуваат предупредувањата и упатствата, може да дојде до струен удар, пожар или тешки повреди.

**Чувајте ги сите предупредувања и упатства за да можете повторно да ги прочитате.**

GEB048-2

**БЕЗБЕДНОСНИ ПРЕДУПРЕДУВАЊА ЗА БЕЗЖИЧНАТА РЕЦИПРОЧНА ПИЛА**

1. Држете го алатот само за изолираните држачи кога вршите работи кога додатокот за сечење може да дојде во допир со скриени жици. Додаток за сечење што ќе допре жица под напон може да ја пренесе струјата до металните делови на алатот и да предизвика струен удар на операторот.
2. Користете стеги или друг практичен начин за да го зацврстите и потпрете материјалот на стабилна платформа. Ако го држите материјалот со рака или го навалувате на телото, ќе биде нестабилен и може да доведе до губење контрола.
3. Секогаш користете очила или заштитни очила. Обични очила или очила за сонце НЕ СЕ заштитни очила.
4. Избегнувајте сечење шајки. Проверете дали материјалот има шајки и отстранете ги пред да почнете да работите.
5. Не сечете материјали што се преголеми.
6. Проверете дали е празно под материјалот пред да сечете, за да не удри ножот во подот, работната маса, итн.
7. Држете го алатот цврсто.
8. Внимавајте сечилото да не го допира работниот материјал пред да се вклучи прекинувачот.
9. Држете ги рацете подалеку од подвижните делови.
10. Не оставајте го алатот вклучен. Работете со алатот само кога го држите в раце.
11. Секогаш исклучувајте го електричниот алат и чекајте сосем да сопре ножот, пред да го тргнете ножот од материјалот.
12. Не допирајте го сечилото или работниот материјал веднаш по работата, затоа што можат да бидат многу жешки и да Ви ја изгорат кожата.

13. Не работете со алатот без оптоварување кога тоа не е неопходно.
14. Секогаш користете ги соодветните маска за прав / респиратор за материјалот кој го користите за одредена примена.
15. Некои материјали содржат хемикалии што можат да бидат отровни. Избегнувајте вдишување на прашината и избегнувајте контакт на прашината со кожата. Следете ги упатствата од производителот на материјалот.
6. Не складирајте ги алатот и батеријата на места каде температурата може да достигне или надминува 50 ° C (122 ° F).
7. Не спалувајте ја батеријата дури и кога е многу оштетена или целосно потрошена. Батеријата може да експлодира ако се стави во оган.
8. Внимавајте да не ја испуштите или удриите батеријата.
9. Не користете оштетена батерија.
10. Почитувајте ги локалните законски прописи што се однесуваат на фрлање во отпад на батеријата.

## ЧУВАЈТЕ ГО УПАТСТВОТО.

### ⚠ПРЕДУПРЕДУВАЊЕ:

НЕ ДОЗВОЛУВАЈТЕ удобноста или запознаеноста со производот (стекната со подолга употреба) да ве наведе да не се придржувате строго до безбедносните правила за односниот производ. ЗЛОУПОТРЕБАТА или непочитувањето на безбедносните правила наведени во ова упатство може да предизвикаат тешки телесни повреди.

ENC007-9

## ВАЖНИ БЕЗБЕДНОСНИ УПАТСТВА

### ЗА БАТЕРИЈА

1. Пред користење на батеријата, прочитајте ги сите упатства и ознаки за претпазливост на (1) полначот за батеријата, (2) батеријата и (3) производот што ја користи батеријата.
2. Не расклопувајте ја батеријата.
3. Ако времето во работа станало прекумерно кратко, престанете веднаш со работа. Тоа може да резултира со ризик од презагревање, можни изгореници и дури и експлозија.
4. Ако електролит навлезе во вашите очи, измијте ги со чиста вода и побарајте медицинска нега веднаш. Тоа може да резултира со губење на вашиот вид.
5. Не расклопувајте ја касетата за батеријата.
  - (1) Не допирајте ги контактите со никаков проводлив материјал.
  - (2) Избегнувајте да ја чувате батерија во сад со други метални предмети како што се шајки, монети и сл.
  - (3) На изложувајте ја батеријата на вода или дожд.

Краткиот спој на батеријата може да предизвика голем проток на електрична енергија, презагревање, можни изгореници и дури и пад на напојувањето.

## ЧУВАЈТЕ ГО УПАТСТВОТО.

### Совети за одржување максимален работен век на батеријата

1. Заменете ја батеријата пред целосно да се испразни. Секогаш запирајте ја работата со алатот и заменете ја батеријата кога ќе забележите дека алатот дава помала моќност.
2. Никогаш немојте да полните целосно полна батерија. Прекумерното полнење го скратува работниот век на батеријата.
3. Полнете ја батеријата на собна температура од 10 ° C - 40 ° C (50 ° F - 104 ° F). Дозволете загреаната батерија да се олади пред да ја ставите на полнење.
4. Наполнете ја батеријата ако не ја користите подолг временски период (повеќе од шест месеци).

## ОПИС НА ФУНКЦИИТЕ

### ⚠ВНИМАНИЕ:

- Пред секое прилагодување или проверка на алатот, проверувајте дали е исклучен и батеријата е извадена.

### Монтирање или отстранување на батеријата

#### Слика1

### ⚠ВНИМАНИЕ:

- Секогаш исклучувајте го алатот пред ставањето или вадењето на батеријата.
- **Држете ги алатот и батеријата цврсто кога ја монтирате или отстранувате батеријата.** Доколку не ги држите цврсто алатот и батеријата, тоа може да доведе до нивно лизнување од вашите раце и да резултира со оштетување на алатот и на батеријата, како и со телесни повреди.

За да ја извадите батеријата, повлечете ја од алатот додека го лизгате копчето на предната страна на батеријата.

За да ја монтирате батеријата, порамнете го јазичето на батеријата со жлебот во куќиштето и турнете ја да застане во место. Вметнете ја до крај додека не се заклучи во место при што ќе се слушне мало кликување. Ако можете да го видите црвениот индикатор на горната страна од копчето, тоа значи дека не е заклучена целосно во место.

### ⚠ВНИМАНИЕ:

- Секогаш монтирајте ја батеријата целосно додека црвениот индикатор не се изгасне. Во спротивно, може случајно да испадне од алатот, со тоа предизвикувајќи повреда вам или некому околу вас.
- Немојте да ја монтирате батеријата на сила. Ако батеријата не може да се лизне лесно, тоа значи дека не е поставена правилно.

### Систем за заштита на батеријата (литиум-јонска батерија со ознака на ѕвезда)

#### Слика2

Литиум-јонските батерии со ознака на ѕвезда се опремени со заштитен систем. Овој систем автоматски го прекинува напојувањето на алатот за да го продолжи работниот век на батеријата. Алатот автоматски ќе запре за време на работењето ако алатот и/или батеријата се поставени под еден од следниве услови:

- Преоптовареност:  
Со алатот се ракува на начин што предизвикува тој да повлекува ненормално висока електрична енергија. Во оваа ситуација, отпуштете го лостот/прекинувачот на алатот и прекинете

со примената која предизвикала преоптовареност на алатот. Потоа, повторно повлечете го лостот/прекинувачот за одново да го стартувате алатот.

Ако алатот не се вклучи, батеријата е презагреана. Во оваа ситуација, оставете батеријата да се олади пред повторно да го повлечете лостот/прекинувачот.

- Низок напон на батеријата:  
Преостанатиот капацитет на батеријата е пренизок и алатот нема да работи. Во таква ситуација, извадете ја и наполнете ја батеријата.

### Го покажува преостанатиот капацитет на батеријата

(Само за батерии чиишто број на модел завршува со буквата „B“.)

#### Слика3

Притиснете го копчето за проверка на батеријата за да се прикаже преостанатиот капацитет на батеријата. Индикаторските ламбички светнуваат и остануваат вклучени неколку секунди.

Светилки за индикација			Преостанат капацитет
Свети	Исклучено	Трепкање	
■	□	▧	75 % до 100 %
■	■	■	
■	■	□	50 % до 75 %
■	□	□	25 % до 50 %
■	□	□	0 % до 25 %
▧	□	□	Наполнете ја батеријата.
■	■	□	Можно е да настанал дефект кај батеријата.
□	□	■	

015658

### НАПОМЕНА:

- Во зависност од условите на користење и амбиенталната температура, индикацијата може да се разликува во мала мера од реалниот капацитет.

### Вклучување

### ⚠ВНИМАНИЕ:

- Пред да ја вметнете батеријата во алатот, секогаш проверувајте го лостот/прекинувачот дали функционира исправно и дали се враќа во положбата „OFF“ (исклучено) кога ќе се отпушти.

#### Слика4

За да спречите случајно повлекување на лостот/прекинувачот, обезбедено е лост/копче за заклучување.

За да го вклучите алатот, повлечете го или лостот или прекинувачот.

- За вклучување со лостот за стартување, повлечете го лостот за заклучување и потоа повлечете го лостот за стартување за да го вклучите алатот.
- За вклучување со прекинувачот, отстегнете го копчето за заклучување и потоа повлечете го прекинувачот за да го вклучите алатот. Копчето за заклучување може да се притисне од лево или од десно.

Брзината на алатот се зголемува со зголемување на притисокот на лостот/прекинувачот. Отпуштете го лостот/прекинувачот за исклучување на алатот.

#### **ЗАБЕЛЕШКА:**

Не повлекувајте го лостот/прекинувачот силно без да ја повлечете рачката/копчето за заклучување. Тоа може да предизвика кршење на прекинувачот.

### **Вклучување на предната ламба**

#### **Слика5**

##### **⚠ВНИМАНИЕ:**

- Не гледајте директно во светлината или во изворот на светлина.

Повлечете го лостот/прекинувачот за вклучување на ламбата. Ламбата продолжува да свети додека лостот/прекинувачот е повлечен.

Ламбичката се исклучува автоматски 10-15 секунди по отпуштањето на лостот/прекинувачот.

### **Прилагодување на кабелската спојница**

#### **Слика6**

Кога ножот не е веќе ефикасен на едно место долж работ за сечење, сменете ја позицијата на спојницата за користење на остриот, неупотребуван дел од работ за сечење. Тоа ќе помогне да се продолжи работниот век на ножот.

За да ја смените позицијата на спојницата, олабавете ја завртката со имбус-клуч.

Лизнете ја спојницата до саканата позиција и потоа цврсто стегнете ја завртката.

## **СОСТАВУВАЊЕ**

##### **⚠ВНИМАНИЕ:**

- Пред секое дотерување или проверка на алатот, секогаш проверувајте дали е исклучен и батеријата е извадена.

### **Монтирање или отстранување на ножот од пилата:**

##### **⚠ВНИМАНИЕ:**

- секогаш исчистете ги сите струганици или туѓи материји кои се на ножот, стегата на ножот и/или лизгачот. Во спротивно, може да дојде до недоволно затегнување на сечилото, а тоа може да предизвика сериозна лична повреда.

### **За модел DJR143, DJR183**

#### **Слика7**

Ставете го сечилото на реципрочната пила во стегата за ножот докрај. Ракавот на стегата за ножот се врти и го фиксира ножот на пилата. Осигурете се дека ножот на пилата не може да се извади дури и кога се обидувате да го извлечете.

##### **⚠ВНИМАНИЕ:**

- Ако не го ставите ножот на пилата доволно длабоко, ножот на пилата може да се исфрли неочекувано во текот на работењето. Ова може да биде многу опасно.

#### **НАПОМЕНА:**

- Не може да го користите ножот за уводна пила со DJR143 или DJR183.

#### **Слика8**

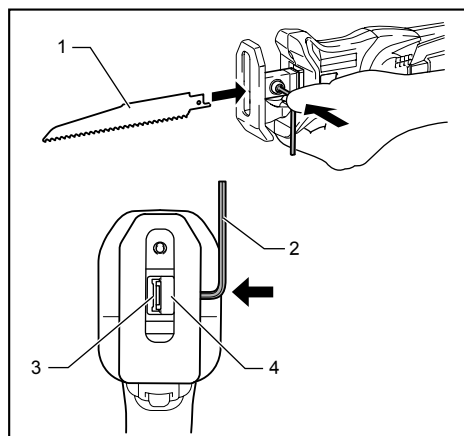
За да го извадите ножот на пилата, свртете го ракавот на стегата на ножот во правец на стрелката докрај. Ножот на пилата е изваден и ракавот на стегата на ножот е фиксиран на саканата позиција.

#### **НАПОМЕНА:**

- Ако го извадите ножот на пилата без да го свртите ракавот на стегата на ножот докрај, ракавот може да не се фиксира. Во таков случај, свртете го ракавот на стегата на ножот докрај, потоа фиксирајте го ракавот во отпуштената позиција.

### **За модел DJR145, DJR185**

#### **Слика9**

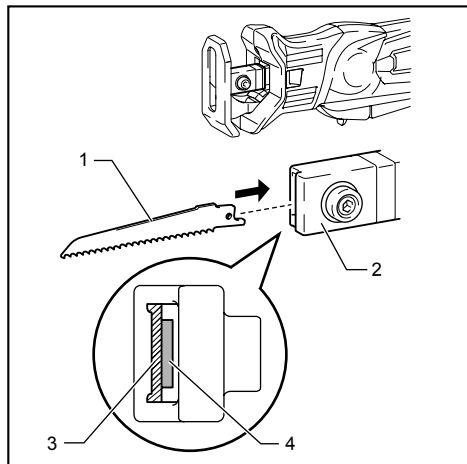


1. Сечило на реципрочната пила
2. Имбус клуч
3. Дупче за сечилото на реципрочната пила
4. Стега за ножот

014048

За да го монтираме ножот на пилата, олабавете ја завртката со имбус-клуч.

Кога го монтирате сечилото на реципрочната пила, притиснете ја завртката со имбус-клучот за да се отвори отворот додека се вметнува ножот.



1. Сечило за пила
2. Стега за ножот
3. Дупче за сечилото на реципрочната пила
4. Дупче за ножот на уводна пила

014047

#### Слика10

Можете да користите или сечила за уводна пила (тип Б) или ножеви за реципрочна пила во согласност со вашата работа. Вметнете го ножот на пилата рамно во стегата за ножот и стегнете ја со имбус-клуч. Повлечете го малку ножот на пилата за да се осигурате дека ножот на пилата не паѓа за време на работењето.

За да го извадите ножот на пилата, следете ја постапката за монтирање по обратен редослед.

#### Складирање на имбус-клучот

##### Слика11

Кога не се користи, складирајте го имбус-клучот како што е покажано на сликата за да не го изгубите.

## РАБОТЕЊЕ

### ⚠ВНИМАНИЕ:

- Секогаш притиснете ја кабелската спојница цврсто на материјалот во текот на работењето. Ако кабелската спојница ја држите подалеку од материјалот во текот на работењето, ќе се појават силни вибрации и/или свиткување, по што ножот може да пукне опасно.
- Секогаш носете ракавици за да ги заштитете рацете од летачки врели делканици кога се сече метал.
- Секогаш носете соодветна заштита за очи која е во согласност со важечките национални стандарди.

- Секогаш користете соодветен разладувач (масло за сечење) кога сечете метал. Во спротивно, може да дојде до значително абеење на ножот.

#### Слика12

Притиснете ја цврсто спојницата врз работниот материјал. Не дозволувајте да отскочне алатот. Ножот на пилата нека дојде во лесен контакт со работниот материјал. Прво, направете водечки жлеб со помала брзина. Потоа, со поголема брзина продолжете да сечете.

#### Слика13

#### Слика14

- Може да го користите лостот или прекинувачот во зависност од вашата работа.

### НАПОМЕНА:

- Ако алатот работи континуирано додека батеријата не се испразни, оставете го да се одмори 15 минути пред да продолжите со свежа батерија.

## ОДРЖУВАЊЕ

### ⚠ВНИМАНИЕ:

- Пред секоја проверка или одржување, секогаш проверувајте дали алатот е исклучен и батеријата е извадена.
- За чистење, не користете нафта, бензин, разредувач, алкохол или слично. Тие средства ја вадат бојата и може да предизвикаат деформации или пукнатини.

За да се одржи БЕЗБЕДНОСТА и СИГУРНОСТА на производот, поправките, одржувањата или дотерувањата треба да се вршат во овластени сервисни центри на Makita, секогаш со резервни делови од Makita.

## ОПЦИОНАЛЕН ПРИБОР

### ⚠ВНИМАНИЕ:

- Овој прибор или додатоци се препорачуваат за користење со алатот од Makita дефиниран во упатството. Со користење друг прибор или додатоци може да се изложите на ризик од телесни повреди. Користете ги приборот и додатоците само за нивната намена.

Ако ви треба помош за повеќе детали за приборот, прашајте во локалниот сервисен центар на Makita.

- Ножеви на гатерот
- Ножеви за уводна пила (само за модел DJR145, DJR185)
- Оригинална батерија и полнач Makita

### НАПОМЕНА:

- Некои ставки на листата може да се вклучени со алатот како стандарден прибор. Тоа може да се разликува од земја до земја.

## ROMÂNĂ (Instrucțiuni originale)

### Explicitarea vederii de ansamblu

1-1. Indicator roșu	4-3. Levier de comutare	8-1. Pânză de ferăstrău
1-2. Buton	4-4. Trăgaciul întrerupătorului	8-2. Manșon de strângere a pânzei
1-3. Cartușul acumulatorului	5-1. Lampă	9-1. Cheie inbus
2-1. Marcaj în stea	6-1. Cheie inbus	9-2. Bolț
3-1. Lămpi indicator	6-2. Șurub cu cap hexagonal	9-3. Deșurubați
3-2. Buton CHECK (Verificare)	6-3. Deșurubați	9-4. Strângere
4-1. Buton de deblocare	7-1. Pânză pentru ferăstrău alternativ	11-1. Cheie inbus
4-2. Levier de deblocare	7-2. Manșon de strângere a pânzei	11-2. Protuberanță

## SPECIFICAȚII

Model	DJR143	DJR145	DJR183	DJR185
Lungimea cursei	13 mm			
Curse pe minut (min <sup>-1</sup> )	0 - 3.000			
Capacități maxime de tăiere	Țeavă	50 mm		
	Lemn	50 mm		
Cartuș acumulator standard	BL1415 / BL1415N / BL1430 / BL1430B / BL1440 / BL1450 / BL1460B		BL1815 / BL1815N / BL1820 / BL1820B / BL1830 / BL1830B / BL1840 / BL1840B / BL1850 / BL1850B / BL1860B	
Lungime totală	392 mm (cu BL1415 / BL1415N)		392 mm (cu BL1815 / BL1815N / BL1820 / BL1820B)	
	397 mm (cu BL1430 / BL1430B / BL1440 / BL1450 / BL1460B)		398 mm (cu BL1830 / BL1830B / BL1840 / BL1840B / BL1850 / BL1850B / BL1860B)	
Greutate netă	1,5 kg (cu BL1415 / BL1415N)		1,5 kg (cu BL1815 / BL1815N / BL1820 / BL1820B)	
	1,7 kg (cu BL1430 / BL1430B / BL1440 / BL1450 / BL1460B)		1,8 kg (cu BL1830 / BL1830B / BL1840 / BL1840B / BL1850 / BL1850B / BL1860B)	
Tensiune nominală	14,4 V cc.		18 V cc.	

- Datorită programului nostru continuu de cercetare și dezvoltare, caracteristicile pot fi modificate fără o notificare prealabilă.
- Specificațiile și ansamblul baterie pot diferi de la țară la țară.
- Greutatea, cu ansamblul baterie, conform procedurii EPTA 01/2003

ENE020-1

### Destinația de utilizare

Mașina este destinată tăierii lemnului, plasticului și materialelor feroase.

ENG905-1

### Emisie de zgomot

Nivelul de zgomot normal ponderat A determinat în conformitate cu EN60745:

#### Model DJR143, DJR185

Nivel de presiune acustică ( $L_{pA}$ ): 76 dB (A)

Marjă de eroare (K): 3 dB (A)

Nivelul de zgomot în timpul funcționării poate depăși 80 dB (A).

#### Model DJR145, DJR183

Nivel de presiune acustică ( $L_{pA}$ ): 77 dB (A)

Marjă de eroare (K): 3 dB (A)

Nivelul de zgomot în timpul funcționării poate depăși 80 dB (A).

### Purtați mijloace de protecție a auzului

ENG900-1

### Vibrații

Valoarea totală a vibrațiilor (suma vectorilor tri-axiali) determinată conform EN60745:

#### Model DJR143, DJR145

Mod de lucru: tăierea plăcilor

Emisie de vibrații ( $a_{h,B}$ ): 7,0 m/s<sup>2</sup>

Marjă de eroare (K): 1,5 m/s<sup>2</sup>

Mod de lucru: tăierea buștenilor

Emisie de vibrații ( $a_{h,WB}$ ): 7,0 m/s<sup>2</sup>

Marjă de eroare (K): 1,5 m/s<sup>2</sup>

#### Model DJR183, DJR185

Mod de lucru: tăierea plăcilor

Emisie de vibrații ( $a_{h,B}$ ): 8,0 m/s<sup>2</sup>

Marjă de eroare (K): 1,5 m/s<sup>2</sup>

Mod de lucru: tăierea buștenilor  
Emisie de vibrații ( $a_{h,wb}$ ): 7,0 m/s<sup>2</sup>  
Marjă de eroare (K): 1,5 m/s<sup>2</sup>

ENG901-1

- Nivelul de vibrații declarat a fost măsurat în conformitate cu metoda de test standard și poate fi utilizat pentru compararea unei unelte cu alta.
- Nivelul de vibrații declarat poate fi, de asemenea, utilizat într-o evaluare preliminară a expunerii.

#### ⚠️ AVERTISMENT:

- Nivelul de vibrații în timpul utilizării reale a uneltei electrice poate diferi de valoarea nivelului declarat, în funcție de modul în care unealta este utilizată.
- Asigurați-vă că identificați măsurile de siguranță pentru a proteja operatorul, acestea fiind bazate pe o estimare a expunerii în condiții reale de utilizare (luând în considerare toate părțile ciclului de operare, precum timpii în care unealta a fost oprită, sau a funcționat în gol, pe lângă timpul de declanșare).

ENH101-17

**Numai pentru țările europene**

#### Declarație de conformitate CE

**Makita declară că următoarea(ele) mașină(i):**

Denumirea mașinii:

Ferăstrău alternativ cu acumulator

Model Nr./ Tip: DJR143, DJR145, DJR183, DJR185

**Este în conformitate cu următoarele directive europene:**

2006/42/EC

Sunt fabricate în conformitate cu următorul standard sau documente standardizate:

EN60745

Fișierul tehnic în conformitate cu 2006/42/CE este disponibil de la:

Makita, Jan-Baptist Vinkstraat 2, 3070, Belgia

31.12.2013



000331

Yasushi Fukaya  
Director

Makita, Jan-Baptist Vinkstraat 2, 3070, Belgia

## Avertismente generale de siguranță pentru unelte electrice

⚠️ **AVERTIZARE** Citiți toate avertizările de siguranță și toate instrucțiunile. Nerespectarea acestor avertizări și instrucțiuni poate avea ca rezultat electrocutarea, incendiul și/sau rănirea gravă.

**Păstrați toate avertismentele și instrucțiunile pentru consultări ulterioare.**

GEB048-2

## AVERTISMENTE PRIVIND SIGURANȚA PENTRU FERĂSTRĂU PENDULAR FĂRĂ FIR

1. **Țineți mașina electrică de suprafețele de prindere izolate atunci când efectuați o operațiune în care accesoriul de tăiere poate intra în contact cu fire ascunse.** Accesoriul de tăiere care intră în contact cu un fir aflat sub tensiune poate pune sub tensiune componentele metalice neizolate ale mașinii electrice și poate produce un șoc electric asupra operatorului.
2. **Folosiți bride sau altă metodă practică de a fixa și sprijini piesa de prelucrat pe o platformă stabilă.** Fixarea piesei cu mâna sau strângerea acesteia la corp nu prezintă stabilitate și poate conduce la pierderea controlului.
3. **Folosiți întotdeauna viziere sau ochelari de protecție. Ochelarii obișnuiți sau ochelarii de soare NU sunt ochelari de protecție.**
4. **Evitați tăierea cuieilor. Inspectați piesa de prelucrat și eliminați cuiele din aceasta înainte de începerea lucrării.**
5. **Nu tăiați piese supradimensionate.**
6. **Verificați distanța corectă sub piesa de prelucrat înainte de tăiere, astfel încât pânza să nu lovească podeaua, bancul de lucru etc.**
7. **Țineți bine mașina.**
8. **Asigurați-vă că pânza nu intră în contact cu piesa de prelucrat înainte de a conecta comutatorul.**
9. **Țineți mâinile la distanță de piesele în mișcare.**
10. **Nu lăsați mașina în funcțiune. Folosiți mașina numai când o țineți cu mâinile.**
11. **Oprți întotdeauna mașina și așteptați ca pânza să se oprească complet înainte de a scoate pânza din piesa prelucrată.**
12. **Nu atingeți pânza sau piesa prelucrată imediat după executarea lucrării; acestea pot fi extrem de fierbinți și pot provoca arsuri ale pielii.**
13. **Nu acționați mașina în gol în mod inutil.**



14. Folosiți întotdeauna masca de protecție contra prafului adecvată pentru materialul și aplicația la care lucrați.
15. Unele materiale conțin substanțe chimice care pot fi toxice. Aveți grijă să nu inhalați praful și evitați contactul cu pielea. Respectați instrucțiunile de siguranță ale furnizorului.

## PĂSTRAȚI ACESTE INSTRUCȚIUNI.

### ⚠️ AVERTISMENT:

NU permiteți comodității și familiarizării cu produsul (obținute prin utilizare repetată) să înlocuiască respectarea strictă a normelor de securitate pentru acest produs. FOLOSIREA INCORECTĂ sau nerespectarea normelor de securitate din acest manual de instrucțiuni poate provoca vătămări corporale grave.

ENC007-9

## INSTRUCȚIUNI IMPORTANTE PRIVIND SIGURANȚA PENTRU CARTUȘUL ACUMULATORULUI

1. Înainte de a folosi cartușul acumulatorului, citiți toate instrucțiunile și atenționările de pe (1) încărcătorul acumulatorului, (2) acumulator și (3) produsul care folosește acumulatorul.
2. Nu dezmembrați cartușul acumulatorului.
3. Dacă timpul de funcționare s-a redus excesiv, întrerupeți imediat funcționarea. Aceasta poate prezenta risc de supraîncălzire, posibile arsuri și chiar explozie.
4. Dacă electrolitul pătrunde în ochi, clătiți bine ochii cu apă curată și consultați imediat un medic. Există risc de orbire.
5. Nu scurtcircuitați cartușul acumulatorului:
  - (1) Nu atingeți bornele cu niciun material conductor.
  - (2) Evitați depozitarea cartușului acumulatorului la un loc cu alte obiecte metalice cum ar fi cuie, monede etc.
  - (3) Nu expuneți cartușul acumulatorului la apă sau ploaie.

Un scurtcircuit al acumulatorului poate provoca un flux puternic de curent electric, supraîncălzire, posibile arsuri și chiar defectarea mașinii.

6. Nu depozitați mașina și cartușul acumulatorului în spații în care temperatura poate atinge sau depăși 50 ° C (122 ° F).
7. Nu incinerati cartușul acumulatorului chiar dacă acesta este grav deteriorat sau complet uzat. Cartușul acumulatorului poate exploda în foc.

8. Aveți grijă să nu scăpați pe jos sau să loviți acumulatorul.
9. Nu folosiți un acumulator uzat.
10. Respectați normele naționale privind eliminarea la deșeurile a acumulatorului.

## PĂSTRAȚI ACESTE INSTRUCȚIUNI.

Sfaturi pentru obținerea unei durate maxime de exploatare a acumulatorului

1. Încărcați cartușul acumulatorului înainte de a se descărca complet. Întrerupeți întotdeauna funcționarea mașinii și încărcați cartușul acumulatorului când observați o scădere a puterii mașinii.
2. Nu reîncărcați niciodată un acumulator complet încărcat. Supraîncărcarea va scurta durata de exploatare a acumulatorului.
3. Încărcați cartușul acumulatorului la temperatura camerei, între 10 ° C - 40 ° C (50 ° F - 104 ° F). Lăsați un acumulator fierbinte să se răcească înainte de a-l încărca.
4. Încărcați cartușul acumulatorului dacă nu îl utilizați o perioadă îndelungată (peste șase luni).

# DESCRIERE FUNCȚIONALĂ

## ⚠️ATENȚIE:

- Asigurați-vă întotdeauna că mașina este oprită și cartușul acumulatorului este scos înainte de a ajusta sau verifica funcționarea mașinii.

## Instalarea sau scoaterea cartușului acumulatorului

Fig.1

### ⚠️ATENȚIE:

- Opriti întotdeauna unealta înainte de montarea sau demontarea cartușului de acumulator.
- Țineți ferm mașina și cartușul acumulatorului la montarea sau demontarea cartușului.** În caz contrar, acestea vă pot aluneca din mâini, rezultând defectarea lor și posibile accidente.

Pentru a scoate cartușul acumulatorului, glisați-l din unealtă în timp ce glisați butonul de pe partea frontală a cartușului.

Pentru a instala cartușul acumulatorului, aliniați limba de pe cartușul acumulatorului cu canelura din carcasă și introduceți-l în locaș. Introduceți-l complet, până când se înclichetează în locaș. Dacă puteți vedea indicatorul roșu din partea superioară a butonului, acesta nu este blocat complet.

### ⚠️ATENȚIE:

- Instalați întotdeauna cartușul acumulatorului complet, până când indicatorul roșu nu mai este vizibil. În caz contrar, acesta poate cădea accidental din mașină provocând rănirea dumneavoastră sau a persoanelor din jur.
- Nu forțați cartușul de acumulator la montare. Dacă acesta nu glisează ușor, înseamnă că a fost introdus incorect.

## Sistem de protecție a acumulatorului (acumulator litiu-ion cu marcaj stea)

Fig.2

Acumulatorii litiu-ion cu un marcaj stea sunt echipate cu un sistem de protecție. Acest sistem oprește automat alimentarea mașinii pentru a prelungi durata de viață a bateriei.

Mașina se va opri automat în timpul funcționării când mașina și/sau acumulatorul se află într-una din situațiile următoare.

- Suprasarcină:

Mașina este operată într-o manieră care determină atragerea unui curent de o intensitate anormal de ridicată.

În această situație, eliberați pârghia de comutare/butonul declanșator de pe mașină și opriți aplicația care a dus la supraîncărcarea mașinii. Apoi trageți din nou pârghia de comutare/butonul declanșator pentru a reporni.

Dacă mașina nu pornește, acumulatorul este supraîncălzit. În această situație, lăsați acumulatorul să se răcească înainte de a trage pârghia de comutare/butonul declanșator din nou.

- Tensiune scăzută acumulator:

Capacitatea rămasă a bateriei este prea mică, iar mașina nu va funcționa. În această situație, scoateți și reîncărcați acumulatorul.

## Indicarea capacității rămase a acumulatorului

(Doar pentru cartușele de acumulator cu "B" la sfârșitul numărului modelului.)

Fig.3

Apăsăți butonul de verificare de pe cartușul acumulatorului pentru indicarea capacității rămase a acumulatorului. Lampa indicatoare se aprinde timp de câteva secunde.

Lămpi indicator			Capacitate rămasă
Iluminat	OPRIT	Iluminare intermitentă	
■	□	◻	între 75 % și 100 %
■	■	□	între 50 % și 75 %
■	□	□	între 25 % și 50 %
■	□	□	între 0 % și 25 %
◻	□	□	Încărcați acumulatorul.
■	■	□	Este posibil ca acumulatorul să se fi defectat.
□	□	■	

015658

### NOTĂ:

- În funcție de condițiile de utilizare și temperatura ambientală, indicația poate fi ușor diferită de capacitatea reală.

## Acționarea întreprătorului

### ⚠️ATENȚIE:

- Înainte de a instala cartușul acumulatorului în mașină, verificați întotdeauna dacă pârghia de comutare/butonul declanșator funcționează corect și revine în poziția "OFF" (oprit) când este eliberat/ă.

Fig.4

Pentru a preveni acționarea accidentală a pârghiei de comutare/butonului declanșator, este prevăzută un buton/pârghie de deblocare.

Pentru a porni mașina, trageți pârghia de comutare sau butonul declanșator.

- Pentru pârghia de comutare, trageți pârghia de deblocare și apoi trageți pârghia de comutare pentru a porni mașina.

- Pentru butonul declanșator, apăsați butonul de deblocare și apoi trageți butonul declanșator pentru a porni mașina. Butonul de deblocare poate fi apăsat fie din partea dreaptă, fie din partea stângă.

Turația mașinii poate fi mărită prin creșterea forței de apăsare pe pârghia de comutare/ butonul declanșator. Eliberați pârghia de comutare/butonul declanșator pentru a opri mașina.

#### NOTĂ:

Nu trageți puternic pârghia de comutare/butonul declanșator fără a trage pârghia/butonul de deblocare. Comutatorul se poate rupe.

### Aprinderea lămpii frontale

#### Fig.5

##### ⚠ATENȚIE:

- Nu priviți direct în raza sau în sursa de lumină. Trageți pârghia de comutare/butonul declanșator pentru a aprinde lampa. Lampa continuă să lumineze în timp ce pârghia de comutare/butonul declanșator este tras/ă. Lampa se stinge automat la 10-15 secunde după eliberarea pârghiei de comutare/butonului declanșator.

### Reglarea sabotului

#### Fig.6

Când pânza își pierde eficiența de tăiere într-o porțiune de-a lungul muchiei tăietoare, re poziționați sabotul pentru a folosi o porțiune ascuțită, neutilizată, a muchiei tăietoare. Aceasta va ajuta la prelungirea duratei de exploatare a pânzei.

Pentru a re poziționa sabotul, slăbiți șurubul cu cheia inbus.

Glisați sabotul în poziția dorită și strângeți bine șurubul.

## MONTARE

##### ⚠ATENȚIE:

- Asigurați-vă întotdeauna că mașina este oprită și cartușul acumulatorului este scos înainte de a executa orice lucrări la mașină.

### Montarea sau demontarea pânzei de ferăstrău

##### ⚠ATENȚIE:

- Curățați întotdeauna toate așchile sau materiile străine depuse pe pânză, dispozitivul de strângere a pânzei și/sau culisor. În caz contrar, pânza ar putea fi strânsă insuficient existând pericol de rănire gravă.

#### Pentru modelul DJR143, DJR183

#### Fig.7

Introduceți pânza pentru ferăstrăul alternativ în dispozitivul de strângere a pânzei până în capăt. Manșonul de strângere a pânzei se rotește și fixează pânza de ferăstrău. Asigurați-vă că pânza de ferăstrău nu poate fi extrasă chiar dacă trageți de aceasta.

##### ⚠ATENȚIE:

- Dacă nu introduceți pânza de ferăstrău suficient de adânc, aceasta poate fi ejectată brusc în timpul funcționării. Acest lucru poate fi extrem de periculos.

##### NOTĂ:

- Nu puteți utiliza pânza pentru ferăstrău mecanic pentru metale cu modelul DJR143 sau DJR183.

#### Fig.8

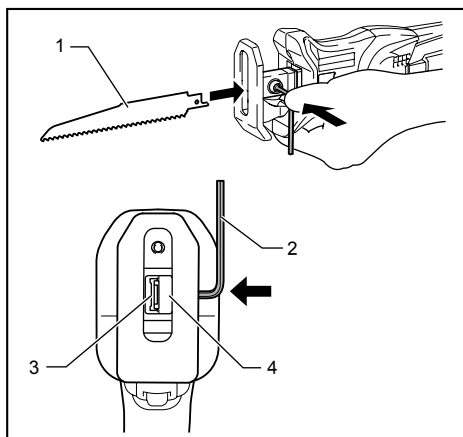
Pentru a demonta pânza de ferăstrău, rotiți complet manșonul de strângere a pânzei în direcția săgeții. Pânza de ferăstrău este demontată și manșonul de strângere a pânzei este fixat în poziția deblocată.

##### NOTĂ:

- Dacă demontați pânza de ferăstrău fără a roti complet manșonul de strângere a pânzei, manșonul ar putea să nu fie fixat. În acest caz, rotiți complet manșonul de strângere a pânzei, iar apoi fixați manșonul în poziția deblocată.

#### Pentru modelul DJR145, DJR185

#### Fig.9

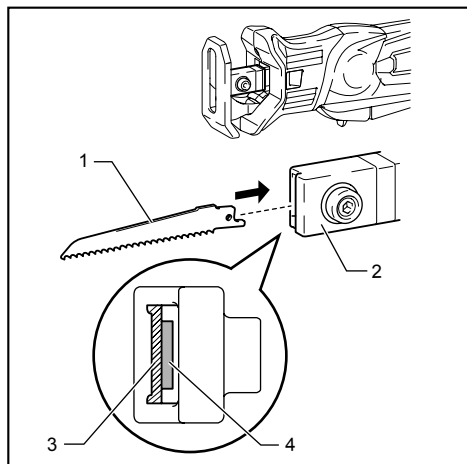


1. Pânza pentru ferăstrău alternativ
2. Cheie inbus
3. Orificiu pentru pânza ferăstrăului alternativ
4. Cap de prindere a pânzei

014048

Pentru a instala pânza ferăstrăului, slăbiți șurubul cu o cheie inbus.

La instalarea unei pânze pentru ferăstrău alternativ, apăsați șurubul cu cheia inbus pentru a deschide fanta în timpul introducerii pânzei.



1. Pânză de ferăstrău
2. Cap de prindere a pânzei
3. Orificiu pentru pânza ferăstrăului alternativ
4. Orificiu pentru pânza ferăstrăului mecanic pentru metale

014047

**Fig.10**

Puteți utiliza atât pânze pentru ferăstrău mecanic pentru metale (tip B), cât și pânze pentru ferăstrău alternativ, în funcție de lucrarea desfășurată. Introduceți pânza ferăstrăului drept în dispozitivul de strângere a pânzei și strângeți cu cheia inbus. Trageți pânza de ferăstrău ușor pentru a vă asigura că aceasta nu cade în timpul utilizării.

Pentru a demonta pânza de ferăstrău, executați în ordine inversă operațiile de montare.

### Depozitarea cheii inbus

**Fig.11**

Atunci când nu este utilizată, depozitați cheia inbus după cum se vede în figură pentru a nu se pierde.

## FUNȚIONARE

### ⚠ATENȚIE:

- Apăsați întotdeauna ferm sabotul pe piesa de prelucrat în timpul operației. Dacă sabotul nu este ținut în contact cu piesa de prelucrat în timpul operației, vor apărea vibrații și/sau torsiuni puternice care vor provoca ruperea periculoasă a pânzei.
- Purtați întotdeauna mănuși pentru a vă proteja mâinile de așchiile fierbinți împrăștiate când tăiați metale.
- Aveți grijă să purtați întotdeauna mijloace de protecție a vederii conforme cu standardele naționale în vigoare.
- Folosiți întotdeauna un lichid de răcire (ulei de răcire a sculelor așchietoare) atunci când tăiați metale. În caz contrar, pânza se va uza prematur.

**Fig.12**

Apăsați ferm sabotul pe piesa de prelucrat. Evitați trepidațiile mașinii. Aduceți pânza de ferăstrău în contact ușor cu piesa de prelucrat. Mai întâi, efectuați un canal pilot la turație redusă. Apoi, utilizați o turație mai ridicată pentru a continua tăierea.

**Fig.13**

**Fig.14**

- Puteți utiliza pârghia de comutare sau butonul declanșator, în funcție de lucrarea de efectuat.

### NOTĂ:

- Dacă mașina este folosită continuu până la descărcarea cartușului acumulatorului, lăsați mașina în repaus timp de 15 minute înainte de a continua cu un acumulator nou.

## ÎNȚREȚINERE

### ⚠ATENȚIE:

- Asigurați-vă întotdeauna că mașina este oprită și cartușul acumulatorului este scos înainte de a executa lucrările de inspecție și întreținere.
- Nu utilizați niciodată gazolină, benzină, diluant, alcool sau alte substanțe asemănătoare. În caz contrar, pot rezulta decolorări, deformări sau fisuri.

Pentru a menține siguranța și fiabilitatea mașinii, reparațiile și reglajele trebuie să fie efectuate numai la Centrele de service autorizat Makita, folosindu-se piese de schimb Makita.

## ACCESORII OPȚIONALE

### ⚠ATENȚIE:

- Folosiți accesoriile sau piesele auxiliare recomandate pentru mașina dumneavoastră în acest manual. Utilizarea oricăror alte accesorii sau piese auxiliare poate cauza vătămări. Folosiți accesoriile pentru operațiunea pentru care au fost concepute.

Dacă aveți nevoie de asistență sau de mai multe detalii referitoare la aceste accesorii, adresați-vă centrului local de service Makita.

- Pânze de ferăstrău alternativ
- Pânze pentru ferăstrău mecanic pentru metale (doar pentru modelul DJR145, DJR185)
- Acumulator și încărcător original Makita

### NOTĂ:

- Unele articole din listă pot fi incluse ca accesorii standard în ambalajul de scule. Acestea pot diferi în funcție de țară.

## СРПСКИ (оригинално упутство)

### Опште објашњење

1-1. Црвени индикатор	4-2. Полука за ослобађање из блокираног положаја	7-2. Кошуљица за клему сечива
1-2. Дугме	4-3. Полука прекидача	8-1. Сечиво тестере
1-3. Кертриџ батерије	4-4. Окидни прекидач	8-2. Кошуљица за клему сечива
2-1. Звездаста ознака	5-1. Лампа	9-1. Имбус кључ
3-1. Индикаторске лампице	6-1. Имбус кључ	9-2. Завртањ
3-2. дугме СНЕСК (ПРОВЕРИ)	6-2. Хекс завртањ	9-3. Попустите
4-1. Тастер за ослобађање из блокираног положаја	6-3. Попустите	11-1. Имбус кључ
	7-1. Лист за повратну тестеру	11-2. Испуцхење

## ТЕХНИЧКИ ПОДАЦИ

Модел		DJR143	DJR145	DJR183	DJR185
Дужина удара		13 мм			
Број удара у минути (мин <sup>-1</sup> )		0 - 3.000			
Макс. капацитет резања	Цев	50 мм			
	Дрво	50 мм			
Стандардни акумулатор		BL1415 / BL1415N / BL1430 / BL1430B / BL1440 / BL1450 / BL1460B		BL1815 / BL1815N / BL1820 / BL1820B / BL1830 / BL1830B / BL1840 / BL1840B / BL1850 / BL1850B / BL1860B	
Укупна дужина		392 мм (са моделом BL1415 / BL1415N)		392 мм (са моделом BL1815 / BL1815N / BL1820 / BL1820B)	
		397 мм (са моделом BL1430 / BL1430B / BL1440 / BL1450 / BL1460B)		398 мм (са моделом BL1830 / BL1830B / BL1840 / BL1840B / BL1850 / BL1850B / BL1860B)	
Нето тежина		1,5 кг (са моделом BL1415 / BL1415N)		1,5 кг (са моделом BL1815 / BL1815N / BL1820 / BL1820B)	
		1,7 кг (са моделом BL1430 / BL1430B / BL1440 / BL1450 / BL1460B)		1,8 кг (са моделом BL1830 / BL1830B / BL1840 / BL1840B / BL1850 / BL1850B / BL1860B)	
Номинални напон		DC 14,4 V		DC 18 V	

• На основу нашег непрестаног истраживања и развоја задржавамо право измена горе наведених података без претходне најаве.

• Технички подаци и кертриџ батерије могу да се разликују у различитим земљама.

• Тежина, са кертриџом батерије, према процедури ЕПТА 01/2003

ENE020-1

### Намена

Алат је намењен за тестерисање дрвета, пластике и материјала који садрже двовалентно гвожђе.

ENG905-1

### Бука

Типичан ниво буке по оцени А одређен је према EN60745:

#### Модел DJR143, DJR185

Ниво звучног притиска ( $L_{pA}$ ): 76 dB (A)

Толеранција (K): 3 dB (A)

Ниво буке током рада може да премаше 80 dB (A).

#### Модел DJR145, DJR183

Ниво звучног притиска ( $L_{pA}$ ): 77 dB (A)

Толеранција (K): 3 dB (A)

Ниво буке током рада може да премаше 80 dB (A).

### Носите заштиту за слух

ENG900-1

### Вибрације

Укупна вредност вибрација (векторска сума у три правца) одређена је према EN60745:

#### Модел DJR143, DJR145

Режим рада : резање плоча

Вредност емисије вибрација ( $a_{h,B}$ ): 7,0 м/с<sup>2</sup>

Толеранција (K): 1,5 м/с<sup>2</sup>

Режим рада : резање дрвених греда

Вредност емисије вибрација ( $a_{h,WB}$ ): 7,0 м/с<sup>2</sup>

Толеранција (K): 1,5 м/с<sup>2</sup>

**Модел DJR183, DJR185**

Режим рада : резање плоча

Вредност емисије вибрација ( $a_{h,v}$ ): 8,0 м/с<sup>2</sup>Толеранција (К): 1,5 м/с<sup>2</sup>

Режим рада : резање дрвених греда

Вредност емисије вибрација ( $a_{h,vB}$ ): 7,0 м/с<sup>2</sup>Толеранција (К): 1,5 м/с<sup>2</sup>

ENG901-1

- Декларисана емисиона вредност вибрација је измерена према стандардизованом мерном поступку и може се користити за упоређивање алата.
- Декларисана емисиона вредност вибрација се такође може користити за прелиминарну процену изложености.

**⚠ УПОЗОРЕЊЕ:**

- Емисиона вредност вибрација током реалне примене електричног алата може се разликовати од декларисане емисионе вредности што зависи од начина на који се користи алат.
- Уверите се да сте идентификовали безбедносне мере за заштиту руковаоца које су засноване на процени изложености у реалним условима употребе (као и у свим деловима радног циклуса као што је време рада уређаја, али и време када је алат искључен и када ради у празном ходу).

ENH101-17

**Само за европске земље****ЕЗ Декларација о усклађености****Makita изјављује за следећу(е) машину(е):**

Ознака машине:

Бежична повратна тестера

Број модела/ Тип: DJR143, DJR145, DJR183, DJR185

**Усклађена са следећим европским смерницама:**

2006/42/E3

Да је произведена у складу са следећим стандардом или стандардизованим документима:

EN60745

Техничка датотека у складу са 2006/42/E3 доступна је на:

Makita, Jan-Baptist Vinkstraat 2, 3070, Белгија

31.12.2013



000331

Yasushi Fukaya

Директор

Makita, Jan-Baptist Vinkstraat 2, 3070, Белгија

**Општа безбедносна упозорења за електричне алате**

**⚠ УПОЗОРЕЊЕ** Прочитајте сва безбедносна упозорења и упутства. Непоштовање доле наведених упозорења и упутстава може изазвати електрични удар, пожар и/или озбиљну повреду.

**Сачувајте сва упозорења и упутства за будуће потребе.**

GEB048-2

**БЕЗБЕДНОСНА УПОЗОРЕЊА ЗА БЕЖИЧНУ ПОВРАТНУ ТЕСТЕРУ**

1. Електрични алат држите за изоловане рукохвате када обављате радове при којима постоји могућност да резни прибор додирне скривене водове. Резни прибор који додирне струјни кабл може да стави под напон изложене металне делове електричног алата и изложи руковаоца електричном удару.
2. Користите стеге или други практичан начин причвршћивања и подржавања предмета обраде за стабилну површину. Држаће предмета обраде руком или уз тело чини га нестабилним и може да доведе до губитка контроле.
3. Увек користите заштитне наочаре или заштитну маску. Обичне наочаре за вид или сунце НИСУ заштитне наочаре.
4. Избегавајте сечење ексера. Прегледајте да ли у предмету обраде има ексера и уклоните их пре сечења.
5. Немојте да сечете превелики предмет обраде.
6. Пре сечења проверите да ли је растојање одговарајуће иза предмета обраде како лист не би ударио под, радну површину итд.
7. Алат држите чврсто.
8. Уверите се да сечиво не додирује предмет обраде пре укључивања прекидача.
9. Руке држите даље од покретних делова.
10. Не остављајте алат да ради. Алат укључите само када га држите рукама.
11. Увек искључите и сачекајте да се лист тестере потпуно заустави пре уклањања листа са предмета обраде.
12. Сечиво или предмет обраде немојте да додирујете одмах после завршетка рада јер може да буде врло врућ и можете да се опечете.
13. Немојте непотребно да користите алат ако нема оптерећења.
14. Увек користите одговарајућу маску за праšину/респиратор за материјал и примену на којима радите.

15. Неки материјали садрже хемикалије које могу да буду отровне. Будите пажљиви како не би дошло до удисања прашине или контакта са кожом. Следите безбедносне податке добављача материјала.

## САЧУВАЈТЕ ОВО УПУТСТВО.

### ⚠УПОЗОРЕЊЕ:

НЕ дозволите да строга безбедносна правила која се односе на овај производ буду занемарена због чињенице да сте производ добро упознали и стекли рутину у руковању са њим. НЕНАМЕНСКА УПОТРЕБА или непоштовање правила безбедности наведених у овом упутству могу довести до озбиљних повреда.

ENC007-9

## ВАЖНА БЕЗБЕДНОСНА УПУТСТВА

### ЗА КЕРТРИЦ БАТЕРИЈЕ

1. Пре употребе кертрица батерије, прочитајте сва упутства и безбедносне ознаке на (1) пуњачу батерије, (2) батерији и (3) производу који користи батерију.
2. Немојте да расклапате кертриц батерије.
3. Ако је време рада постало изузетно краће, одмах престаните са руковањем. То може да доведе до ризика од прегревања, могућих опекотина, па чак и експлозије.
4. Ако електролит доспе у очи, исперите их чистом водом и одмах затим затражите помоћ лекара. То може да доведе до губитка вида.
5. Немојте да изазивате кратак спој на кертрицу батерије:
  - (1) Немојте да додирујете терминале било којим проводничким материјалом.
  - (2) Избегавајте складиштење кертрица батерије у контејнеру са другим металним предметима као што ексери, новчићи итд.
  - (3) Немојте да излажете кертриц батерије води или киши.

Кратак спој на батерији може да доведе до великог протока струје, прегревања, могућих опекотина, па чак и прегоривања.

6. Немојте да складиштите алат и кертриц батерије на местима где температура може да достигне или премаши 50 ° C (122 ° F).
7. Немојте да палите кертриц батерије чак ни ако је озбиљно оштећен или потпуно похабан. Кертриц батерије може да експлодира у ватри.
8. Пазите да не испустите или ударите батерију.

9. Немојте да користите оштећену батерију.
10. Придржавајте се локалних прописа у вези са одлагањем батерије.

## САЧУВАЈТЕ ОВО УПУТСТВО.

Савети за одржавање максималног трајања батерије

1. Напуните кертриц батерије пре него што се потпуно испразни. Сваки пут прекините рад са алатом и промените кертриц батерије када приметите да је снага алата слабија.
2. Никада немојте да допуњавате потпуно напуњени кертриц батерије. Препуњавање скраћује радни век батерије.
3. Напуните кертриц батерије са собном температуром од 10 ° C до 40 ° C (50 ° F - 104 ° F). Пустите да се врући кертриц батерије охлади пре пуњења.
4. Напуните кертриц батерије ако га нисте користили дуже време (дуже од шест месеци).

## ОПИС ФУНКЦИЈА АЛАТА

### ⚠ ПАЖЊА:

- Пре подешавања или провере функција алата увек проверите да ли је алат искључен и акумулатор одвојен пре подешавања и провере функције алата.

### Постављање или скидање акумулатора

#### слика1

### ⚠ ПАЖЊА:

- Увек искључите алат пре убацивања или уклањања акумулатора.
- Чврсто држите алат и кертриџ батерије приликом инсталирања или уклањања кертриџа батерије.** Ако не budete чврсто држали алат и кертриџ батерије, могу да вам исклизну из руку, што може да доведе до оштећења алата и кертриџа батерије, као и телесних повреда.

Да бисте уклонили акумулатор, избаците га из алата притиском на тастер на предњој страни акумулатора. За постављање кертриџа батерије, поравнајте језичак на кертриџу батерије са жлебом на кућишту и убаците га. Убаците га у потпуности док не легне у на место и благо се зачује клик. Ако можете видети црвени индикатор на горњој страни тастера, кертриџ није у потпуности у исправној позицији.

### ⚠ ПАЖЊА:

- Увек поставите кертриџ батерије у потпуности тако да се црвени индикатор не види. У супротном, случајно може испасти из алата, изазивајући повреду код вас или особе у вашој близини.
- Немојте на силу да инсталирате кертриџ батерије. Ако кертриџ не легне у позицију једноставно, не постављате га исправно.

### Систем за заштиту акумулатора (литијум-јонска батерија за ознаком звездице)

#### слика2

Литијум-јонске батерије са ознаком звездице су опремљене системом за заштиту. Овај систем аутоматски прекида напајање алата како би продужио трајање батерије.

Алат ће аутоматски прекинути са радом ако се алат и/или акумулатор ставе у једно од следећих стања:

- Преоптерећење:

Алатом се управља на начин који доводи до трошења абнормалне количине струје. У овој ситуацији, пустите полуку са прекидачем/окидач на алату и престаните са употребом која је довела до преоптерећења алата. Затим, поново повуците полуку са прекидачем/окидач да бисте поново почели са радом.

Ако алат не почне са радом, акумулатор је прегрејан. У овој ситуацији, сачекајте да се акумулатор охлади пре поновног повлачења полуге са прекидачем/окидача.

- Низак напон батерије:

Преостали капацитет акумулатора је пренизак и алат неће функционисати. У овој ситуацији, извадите и напуните акумулатор.

### Приказује преостали капацитет акумулатора

(Само за акумулаторе са ознаком „В“ на крају броја модела.)

#### слика3

Притисните дугме за проверу на акумулатору које указује на преостали капацитет акумулатора. Индикаторске лампице ће засветлети на неколико секунди.

Индикаторске лампице			Преостали капацитет
Светли	Искључено	Трепће	
■	□	▮	
■ ■ ■ ■			од 75 % до 100 %
■ ■ ■ □			од 50 % до 75 %
■ ■ □ □			од 25 % до 50 %
■ □ □ □			од 0 % до 25 %
▮ □ □ □			Напуните акумулатор.
■ □ □ □	↑	↓	Можда је дошло до квара акумулатора.

015658

### НАПОМЕНА:

- У зависности од услова коришћења и амбијенталне температуре, приказани капацитет може донекле да се разликује од стварног.

### Функционисање прекидача

### ⚠ ПАЖЊА:

- Пре убацивања акумулатора у алат, увек проверите да ли полука са прекидачем/окидач ради правилно и да ли се враћа у положај „OFF“ (искључивање) пошто га пустите.

#### слика4

Алат је опремљен полугом/тастером за ослобађање из блокираног положаја који спречава случајно повлачење полуге са прекидачем/окидача.

Да бисте активирали алат, једноставно повуците полуку са прекидачем или окидач.



- Ако се на алату налази полуга са прекидачем, повуците полугу за ослобађање из блокираног положаја, а затим повуците полугу са прекидачем да бисте покренули алат.
- Ако се на алату налази окидач, отпустите тастер за ослобађање из блокираног положаја, а затим повуците полугу са прекидачем да бисте покренули алат. Тастер за ослобађање из блокираног положаја може да се притисне са десне или леве стране.

Брзина алата се повећава са већим притиском на полугу са прекидачем/окидач. Да бисте зауставили алат, пустите полугу са прекидачем/окидач.

#### НАПОМЕНА:

Немојте јако да повлачите полугу са прекидачем/окидач ако претходно нисте повукли полугу или отпустили тастер за ослобађање из блокираног положаја. У супротном, прекидач може да се оштети.

### Укључивање предње лампе

#### слика5

#### ⚠ ПАЖЊА:

- Немојте да гледате у лампу или извор светлости директно.

Повуците полугу са прекидачем/окидач да бисте укључили лампу. Лампа ће наставити да светли док је полуга са прекидачем/окидач повучен.

Лампа се аутоматски искључује 10-15 секунди након отпуштања полуге са прекидачем/окидача.

### Подешавање вођице

#### слика6

Кад тестера изгуби оштрину на једном месту дуж оштрице, померите вођицу да бисте користили оштар, некористићени део оштрице. Овим се продужава животни век оштрице.

Да бисте преместили вођицу, отпустите завртањ помоћу имбус кључа.

Померите вођицу на жељено место, а затим добро причврстите завртањ.

## МОНТАЖА

#### ⚠ ПАЖЊА:

- Пре подешавања или провере функција алата увек проверите да ли је алат искључен и акумулатор одвојен пре обављања било каквог посла на алату.

### Монтирање или уклањање листа тестере

#### ⚠ ПАЖЊА:

- Увек очистите све опилке или страна тела која су се задржала на сечиву, стезаљци сечива и/или клизачу. У супротном може да дође до недовољне затегнутости листа тестере, што може да изазове озбиљну повреду.

### За моделе DJR143, DJR183

#### слика7

Поставите лист тестере у стезаљку до краја. Прстен стезаљке се ротира и причвршћује лист тестере. Уверите се да лист тестере не може да се извуче чак ни кад покушате да га ишчупате.

#### ⚠ ПАЖЊА:

- Ако не поставите лист тестере довољно дубоко, може неочекивано да испадне током рада. То може да буде крајње опасно.

#### НАПОМЕНА:

- На моделима DJR143 или DJR183 не можете да користите лист убодне тестере.

#### слика8

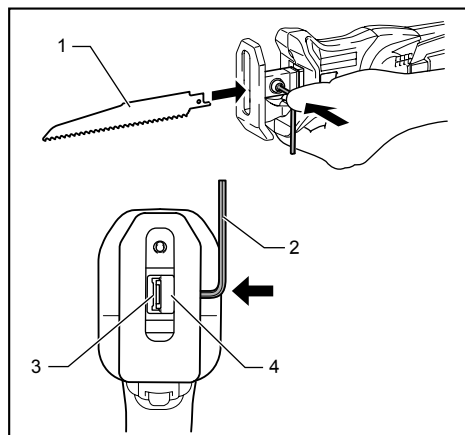
Да бисте скинули лист тестере, окрените до краја прстен стезаљке листа у смеру стрелице. Лист тестере је уклоњен, а прстен стезаљке листа је причвршћен у положају у којем је ослобођен.

#### НАПОМЕНА:

- Ако скинете лист тестере а да претходно не ротирасте у потпуности прстен стезаљке листа, прстен можда неће бити причвршћен. У том случају, у потпуности ротирајте прстен стезаљке листа, затим причврстите прстен у положају у којем је ослобођен.

### За моделе DJR145, DJR185

#### слика9

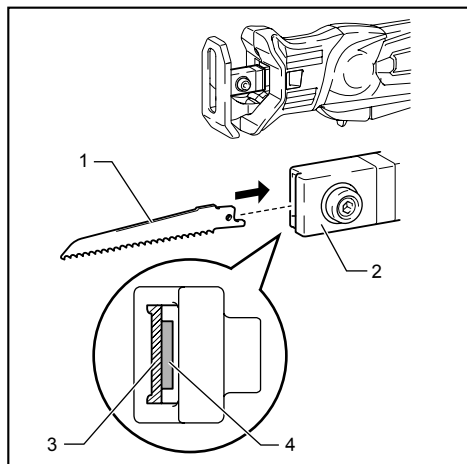


1. Лист за повратну тестеру
2. Имбус кључ
3. Отвор за листове повратне тестере
4. Клема за сечиво

014048

Да бисте поставили лист тестере, пустите завртањ помоћу имбус кључа.

Када постављате лист повратне тестере, притисните завртањ имбус кључем да бисте отворили отвор у који ћете поставити лист.



1. Сечиво тестере
2. Клема за сечиво
3. Отвор за листове повратне тестере
4. Отвор за листове убудне тестере

014047

#### слика10

Можете да користите листове за убудну тестеру (тип Б) и листове за повратну тестеру у складу са захтевима посла. Поставите лист тестере директно у стезаљку листа и причврстите га имбус кључем. Нежно повуците лист тестере да бисте се уверили да је добро причвршћено и да неће испати током рада.

Да бисте скинули лист тестере, примените овај поступак обрнутим редоследом.

#### Складиштење имбус кључа

##### слика11

Када се не користи, имбус кључ складиштите као што је приказано на слици да се не би загубио.

## РАД

### ⚠ ПАЖЊА:

- Увек чврсто притисните вођицу на радну површину током рада. Ако је вођица одмакнута од радне површине током рада, јавиће се јаке вибрације и увртање, што може да доведе до опасног одскакања листа тестере.
- Увек носите рукавице да бисте заштитили руке од опиљака који лете приликом сечења материјала.
- Обавезно увек носите одговарајућу заштиту за очи која одговара вашим важећим националним стандардима.
- Увек користите одговарајуће раскладно средство (резно уље) када сечете метал. У супротном долази до превременог хабања листа тестере.

#### слика12

Чврсто притисните вођицу на предмет обраде. Немојте да дозволите да алат одскаче. Доведите оштрицу у благи контакт са предметом обраде. Прво направите пробни жљеб користећи мању брзину. Затим користите већу брзину да бисте наставили сечење.

#### слика13

#### слика14

- У складу са захтевима посла можете да користите полугу са прекидачем или окидач.

#### НАПОМЕНА:

- Ако се алат користи непрестано док се акумулатор не испразни, дозволите алату да се одмори 15 минута пре наставка са свежим акумулатором.

## ОДРЖАВАЊЕ

### ⚠ ПАЖЊА:

- Пре него што почнете с прегледом или одржавањем алата, акумулатор се вади а утикач извучен из утичнице.
- Немојте да користите нафту, бензин, разређивач, алкохол и слично. Могу се појавити губитак боје, деформација или оштећење.

БЕЗБЕДАН и ПОУЗДАН рад алата гарантујемо само ако поправке, свако друго одржавање или подешавање, препустите овлашћеном сервису за алат Makita, уз употребу оригиналних резервних делова Makita.

## ОПЦИОНИ ДОДАТНИ ПРИБОР

### ⚠ ПАЖЊА:

- Ова опрема и прибор намењени су за употребу са алатом Makita описаним у овом упутству за употребу. Употреба друге опреме и прибора може да доведе до повреда. Делове прибора или опрему користите само за предвиђену намену.

Да бисте сазнали детаље у вези са овим додатним прибором обратите се локалном сервисном центру Makita.

- Листови за повратну тестеру
- Листови за убудну тестеру (само за моделе DJR145, DJR185)
- Makita оригинална батерија и пуњач

#### НАПОМЕНА:

- Поједине ставке на листи могу бити укључене у садржај паковања алата као стандардна опрема. Могу се разликовати од земље до земље.

## РУССКИЙ ЯЗЫК (Оригинальная инструкция)

### Объяснения общего плана

1-1. Красный индикатор	4-3. Рычаг переключателя	8-1. Пильный диск
1-2. Кнопка	4-4. Курковый выключатель	8-2. Муфта зажима полотна
1-3. Блок аккумулятора	5-1. Лампа	9-1. Шестигранный ключ
2-1. Звездочка	6-1. Шестигранный ключ	9-2. Болт
3-1. Лампы индикатора	6-2. Болт с шестигранной головкой	9-3. Ослабить
3-2. Кнопка «СНЕСК» (Проверка)	6-3. Ослабить	9-4. Затянуть
4-1. Кнопка разблокирования	7-1. Полотно для сабельных пил	11-1. Шестигранный ключ
4-2. Рычаг разблокирования	7-2. Муфта зажима полотна	11-2. Выступ

## ТЕХНИЧЕСКИЕ ХАРАКТЕРИСТИКИ

Модель		DJR143	DJR145	DJR183	DJR185
Длина хода		13 мм			
Ходов в минуту (мин <sup>-1</sup> )		0 - 3 000			
Макс. Режущие возможности	Труба	50 мм			
	Дерево	50 мм			
Стандартный аккумуляторный блок		BL1415 / BL1415N / BL1430 / BL1430B / BL1440 / BL1450 / BL1460B		BL1815 / BL1815N / BL1820 / BL1820B / BL1830 / BL1830B / BL1840 / BL1840B / BL1850 / BL1850B / BL1860B	
Общая длина	392 мм (с BL1415 / BL1415N)		392 мм (с BL1815 / BL1815N / BL1820 / BL1820B)		
	397 мм (с BL1430 / BL1430B / BL1440 / BL1450 / BL1460B)		398 мм (с BL1830 / BL1830B / BL1840 / BL1840B / BL1850 / BL1850B / BL1860B)		
Вес нетто	1,5 кг (с BL1415 / BL1415N)		1,5 кг (с BL1815 / BL1815N / BL1820 / BL1820B)		
	1,7 кг (с BL1430 / BL1430B / BL1440 / BL1450 / BL1460B)		1,8 кг (с BL1830 / BL1830B / BL1840 / BL1840B / BL1850 / BL1850B / BL1860B)		
Номинальное напряжение		14,4 В пост. Тока		18 В пост. Тока	

- Благодаря нашей постоянно действующей программе исследований и разработок, указанные здесь технические характеристики могут быть изменены без предварительного уведомления.
- Технические характеристики и аккумуляторный блок могут отличаться в зависимости от страны.
- Масса (с аккумуляторным блоком) в соответствии с процедурой EPTA 01.2003

ENE020-1

### Использование по назначению

Данный инструмент предназначен для распиливания древесины, резки пластика и черного металла.

ENG905-1

### Шум

Типичный уровень взвешенного звукового давления (A), измеренный в соответствии с EN60745:

#### Модель DJR143, DJR185

Уровень звукового давления ( $L_{pA}$ ): 76 дБ (A)

Погрешность (K): 3 дБ (A)

Уровень шума при выполнении работ может превышать 80 дБ (A).

#### Модель DJR145, DJR183

Уровень звукового давления ( $L_{pA}$ ): 77 дБ (A)

Погрешность (K): 3 дБ (A)

Уровень шума при выполнении работ может превышать 80 дБ (A).

#### Используйте средства защиты слуха

ENG900-1

### Вибрация

Суммарное значение вибрации (сумма векторов по трем осям) определяется по следующим параметрам EN60745:

#### Модель DJR143, DJR145

Рабочий режим: распиливание досок

Распространение вибрации ( $a_{hB}$ ): 7,0 м/с<sup>2</sup>

Погрешность (K): 1,5 м/с<sup>2</sup>

Рабочий режим: распиливание деревянных балок  
 Распространение вибрации ( $a_{h,WB}$ ): 7,0 м/с<sup>2</sup>  
 Погрешность (K): 1,5 м/с<sup>2</sup>

#### Модель DJR183, DJR185

Рабочий режим: распиливание досок  
 Распространение вибрации ( $a_{h,B}$ ): 8,0 м/с<sup>2</sup>  
 Погрешность (K): 1,5 м/с<sup>2</sup>

Рабочий режим: распиливание деревянных балок  
 Распространение вибрации ( $a_{h,WB}$ ): 7,0 м/с<sup>2</sup>  
 Погрешность (K): 1,5 м/с<sup>2</sup>

ENG901-1

- Заявленное значение распространения вибрации измерено в соответствии со стандартной методикой испытаний и может быть использовано для сравнения инструментов.
- Заявленное значение распространения вибрации можно также использовать для предварительных оценок воздействия.

#### **⚠ ПРЕДУПРЕЖДЕНИЕ:**

- Распространение вибрации во время фактического использования электроинструмента может отличаться от заявленного значения в зависимости от способа применения инструмента.
- Обязательно определите меры безопасности для защиты оператора, основанные на оценке воздействия в реальных условиях использования (с учетом всех этапов рабочего цикла, таких как выключение инструмента, работа без нагрузки и включение).

ENH101-17

Только для европейских стран

#### Декларация о соответствии ЕС

**Makita** заявляет, что следующее устройство (устройства):

Обозначение устройства:

Аккумуляторная сабельная пила

Модель / тип: DJR143, DJR145, DJR183, DJR185

Соответствует (-ют) следующим директивам ЕС:  
 2006/42/ЕС

Изготовлены в соответствии со следующим стандартом или нормативными документами:

EN60745

Технический файл в соответствии с документом 2006/42/ЕС доступен по адресу:

Makita, Jan-Baptist Vinkstraat 2, 3070, Belgium



000331

Ясуси Фукайа (Yasushi Fukaya)  
 Директор  
 Makita, Jan-Baptist Vinkstraat 2, 3070, Belgium

GEA010-1

## Общие рекомендации по технике безопасности для электроинструментов

**⚠ ПРЕДУПРЕЖДЕНИЕ** Ознакомьтесь со всеми инструкциями и рекомендациями по технике безопасности. Невыполнение инструкций и рекомендаций может привести к поражению электротоком, пожару и/или тяжелым травмам.

**Сохраните брошюру с инструкциями и рекомендациями для дальнейшего использования.**

GEB048-2

## ПРАВИЛА ТЕХНИКИ БЕЗОПАСНОСТИ ПРИ ЭКСПЛУАТАЦИИ АККУМУЛЯТОРНОЙ ВОЗВРАТНО-ПОСТУПАТЕЛЬНОЙ ПИЛЫ

1. Если при выполнении работ существует риск контакта режущего инструмента со скрытой электропроводкой, держите электроинструмент за специально предназначенные изолированные поверхности. Контакт с проводом под напряжением приведет к тому, что металлические детали инструмента также будут под напряжением, что приведет к поражению оператора электрическим током.
2. Для фиксации разрезаемой детали на устойчивой поверхности используйте зажимы или другие соответствующие приспособления. Никогда не держите распиливаемые детали в руках и не прижимайте их к телу, так как это не обеспечит устойчивого положения детали и может привести к потере контроля над инструментом.
3. Всегда надевайте защитные очки или защитную маску для лица. Обычные или солнцезащитные очки НЕ ЯВЛЯЮТСЯ защитными очками.

4. Избегайте попадания режущего инструмента на гвозди. Перед пилением осмотрите деталь и убедитесь в отсутствии гвоздей.
5. Не распиливайте детали, превышающие возможности инструмента.
6. Убедитесь в наличии свободного пространства за распиливаемой деталью, чтобы полотно не уперлось в пол, верстак и т. п.
7. Крепко держите инструмент.
8. Перед включением выключателя убедитесь в том, что лезвие не касается обрабатываемой детали.
9. Руки должны находиться на расстоянии от движущихся деталей.
10. Не оставляйте работающий инструмент без присмотра. Включайте инструмент только тогда, когда он находится в руках.
11. Перед извлечением полотна из детали всегда выключайте инструмент и ждите остановки движения полотна.
12. Сразу после окончания работ не прикасайтесь к полотну или разрезаемой детали. Они могут быть очень горячими, что приведет к ожогам кожи.
13. Без необходимости не эксплуатируйте инструмент без нагрузки.
14. Всегда используйте соответствующую пылезащитную маску/респиратор для защиты дыхательных путей от пыли разрезаемых материалов.
15. Некоторые материалы могут содержать токсичные химические вещества. Примите соответствующие меры предосторожности, чтобы избежать вдыхания или контакта с кожей таких веществ. Соблюдайте требования, указанные в паспорте безопасности материала.

## СОХРАНИТЕ ДАННЫЕ ИНСТРУКЦИИ.

### ⚠ ПРЕДУПРЕЖДЕНИЕ:

НЕ ДОПУСКАЙТЕ, чтобы удобство или опыт эксплуатации данного устройства (полученный от многократного использования) доминировали над строгим соблюдением правил техники безопасности при обращении с этим устройством. НЕПРАВИЛЬНОЕ ИСПОЛЬЗОВАНИЕ инструмента или несоблюдение правил техники безопасности, указанных в данном руководстве, может привести к тяжелой травме.

## ВАЖНЫЕ ИНСТРУКЦИИ ПО ТЕХНИКЕ БЕЗОПАСНОСТИ

### ДЛЯ АККУМУЛЯТОРНОГО БЛОКА

1. Перед использованием аккумуляторного блока прочитайте все инструкции и предупреждающие надписи на (1) зарядном устройстве, (2) аккумуляторном блоке и (3) инструменте, работающем от аккумуляторного блока.
2. Не разбирайте аккумуляторный блок.
3. Если время работы аккумулятора блока значительно сократилось, немедленно прекратите работу. В противном случае, может возникнуть перегрев блока, что приведет к ожогам и даже к взрыву.
4. В случае попадания электролита в глаза, промойте их обильным количеством чистой воды и немедленно обратитесь к врачу. Это может привести к потере зрения.
5. Не замыкайте контакты аккумуляторного блока между собой:
  - (1) Не прикасайтесь к контактам какими-либо токопроводящими предметами.
  - (2) Не храните аккумуляторный блок в контейнере вместе с другими металлическими предметами, такими как гвозди, монеты и т. п.
  - (3) Не допускайте попадания на аккумуляторный блок воды или дождя. Замыкание контактов аккумуляторного блока между собой может привести к возникновению большого тока, перегреву, возможным ожогам и даже разрыву блока.
6. Не храните инструмент и аккумуляторный блок в местах, где температура может достигать или превышать 50 ° C (122 ° F).
7. Не бросайте аккумуляторный блок в огонь, даже если он сильно поврежден или полностью вышел из строя. Аккумуляторный блок может взорваться под действием огня.
8. Не роняйте и не ударяйте аккумуляторный блок.
9. Не используйте поврежденный аккумуляторный блок.
10. Выполняйте требования местного законодательства относительно утилизации аккумуляторного блока.

## СОХРАНИТЕ ДАННЫЕ ИНСТРУКЦИИ.

## Советы по обеспечению максимального срока службы аккумуляторного блока

1. Заряжайте аккумуляторный блок до того, как он полностью разрядится.  
В случае потери мощности при эксплуатации инструмента, прекратите работу и зарядите аккумуляторный блок.
2. Никогда не заряжайте полностью заряженный аккумуляторный блок.  
Перезарядка сокращает срок службы блока.
3. Заряжайте аккумуляторный блок при комнатной температуре в пределах от 10 ° C до 40 ° C (от 50 ° F до 104 ° F). Перед зарядкой дайте горячему аккумуляторному блоку остыть.
4. Заряжайте аккумуляторный блок, если он не используется в течение длительного времени (более шести месяцев).

## ОПИСАНИЕ ФУНКЦИОНИРОВАНИЯ

### ⚠️ ПРЕДУПРЕЖДЕНИЕ:

- Перед регулировкой или проверкой функционирования всегда отключайте инструмент и вынимайте блок аккумуляторов.

### Установка или снятие блока аккумуляторов

#### Рис.1

### ⚠️ ПРЕДУПРЕЖДЕНИЕ:

- Обязательно выключайте инструмент перед установкой и извлечением аккумуляторного блока.
- При установке или снятии аккумуляторного блока надежно удерживайте инструмент и аккумуляторный блок. Иначе инструмент или аккумуляторный блок могут выскользнуть из рук, что может привести к травмам или повреждению инструмента и аккумуляторного блока.

Для снятия аккумуляторного блока нажмите кнопку на лицевой стороне и извлеките блок.

Для установки аккумуляторного блока совместите выступ блока с пазом в корпусе и задвиньте его на место. Устанавливайте блок до упора так, чтобы он зафиксировался на месте с небольшим щелчком. Если вы можете видеть красный индикатор на верхней части клавиши, аккумуляторный блок не полностью установлен на месте.

### ⚠️ ПРЕДУПРЕЖДЕНИЕ:

- Обязательно устанавливайте аккумуляторный блок до конца, чтобы красный индикатор не был виден. В противном случае аккумуляторный блок может выпасть из инструмента и нанести травму вам или другим людям.
- Не прилагайте чрезмерных усилий при установке аккумуляторного блока. Если блок не двигается свободно, значит он вставлен неправильно.

### Система защиты аккумуляторной батареи (ионно-литиевый аккумуляторный блок со звездочкой)

#### Рис.2

В ионно-литиевых аккумуляторных блоках со звездочкой предусмотрена система защиты. Она автоматически отключает питание для продления срока службы аккумуляторного блока.

Инструмент автоматически остановится во время работы при возникновении указанных ниже ситуаций:

- Перегрузка:  
Из-за способа эксплуатации инструмент потребляет очень большое количество тока.

В этом случае отпустите рычаг/курковый выключатель на инструменте и прекратите использование, повлекшее перегрузку инструмента. Затем нажмите на рычаг/курковый выключатель, чтобы перезапустить инструмент.

Если инструмент не включается, значит, перегрелся аккумуляторный блок. В этом случае дайте ему остыть перед повторным нажатием на рычаг/курковый выключатель.

- Низкое напряжение аккумуляторной батареи: Уровень оставшегося заряда аккумулятора слишком низкий и инструмент не работает. В этом случае снимите и зарядите аккумуляторный блок.

### Индикация оставшегося заряда аккумулятора

(Только для блоков аккумуляторов с буквой "B" в конце номера модели.)

#### Рис.3

Нажмите кнопку проверки на блоке аккумуляторов для проверки заряда. Индикаторы включатся на несколько секунд.

Лампы индикатора			Заряд батареи
Горит	Выкл.	Мигает	
■	■ ■ ■ ■		от 75 % до 100 %
■	■ ■ ■ □		от 50 % до 75 %
■	■ ■ □ □		от 25 % до 50 %
■	□ □ □ □		от 0 % до 25 %
▬	□ □ □ □		Зарядите аккумуляторную батарею.
■	■ □ □ □	↑ ↓	Возможно, аккумуляторная батарея неисправна.

015658

#### Примечание:

- В зависимости от условий эксплуатации и температуры окружающего воздуха индикация может незначительно отличаться от фактического значения.

### Действие выключателя

#### ⚠ ПРЕДУПРЕЖДЕНИЕ:

- Перед установкой аккумуляторного блока в инструмент обязательно убедитесь, что его рычаг/курковый выключатель нормально работает и возвращается в положение "OFF" (Выкл.) при отпуске.

#### Рис.4

Для предотвращения случайного нажатия рычаг/курковый выключатель оборудован блокирующим рычагом/кнопкой.

Для включения инструмента достаточно просто нажать на рычаг или курковый выключатель.

- При использовании рычага для включения инструмента нажмите рычаг разблокировки, а затем рычаг включения.
- При использовании куркового выключателя для включения инструмента нажмите кнопку разблокировки, а затем курковый выключатель. Кнопку разблокировки можно нажимать как с левой, так и с правой стороны.

Для увеличения числа оборотов нажмите рычаг/курковый выключатель сильнее. Для выключения инструмента отпустите рычаг/курковый выключатель.

#### ПРИМЕЧАНИЕ:

Не давите сильно на рычаг/курковый выключатель, не нажав рычаг/кнопку разблокировки. Это может привести к поломке выключателя.

### Включение передней лампы

#### Рис.5

#### ⚠ ПРЕДУПРЕЖДЕНИЕ:

- Не смотрите непосредственно на свет или источник света.

Нажмите на рычаг/курковый выключатель для включения лампы. Лампа будет светиться до тех пор, пока нажат рычаг/курковый выключатель.

Лампа автоматически гаснет через 10-15 секунд после отпущения рычага/куркового выключателя.

### Регулировка башмака

#### Рис.6

Когда полотно утратит свои режущие качества в одном месте его режущей кромки, переместите башмак для использования острой режущей кромки неиспользованной части полотна. Это позволит продлить срок службы полотна.

Для изменения положения башмака ослабьте болт шестигранным ключом.

Сдвиньте башмак в нужное положение и затем плотно затяните болт.

## МОНТАЖ

#### ⚠ ПРЕДУПРЕЖДЕНИЕ:

- Перед проведением каких-либо работ с инструментом всегда проверяйте, что инструмент отключен, а блок аккумуляторов снят.

### Установка или снятие ножовочного полотна

#### ⚠ ПРЕДУПРЕЖДЕНИЕ:

- Всегда вычищайте щепки и другие инородные вещества, прилипающие к полотну, держателю

и/или ползунку полотна. Несоблюдение данного требования может привести к недостаточной затяжке полотна и серьезной травме.

#### Для моделей DJR143, DJR183

##### Рис.7

Вставьте сабельное ножовочное полотно в зажим полотна до упора. Втулка зажима полотна повернется и зафиксирует полотно. Убедитесь, что полотно не может быть извлечено из зажима, даже если вы потянете за него.

#### ⚠ ПРЕДУПРЕЖДЕНИЕ:

- Если вы не вставите ножовочное полотно достаточно глубоко, при работе ножовочное полотно может неожиданно выскочить. Это может быть чрезвычайно опасно.

#### Примечание:

- С DJR143 и DJR183 нельзя использовать полотно лобзика.

##### Рис.8

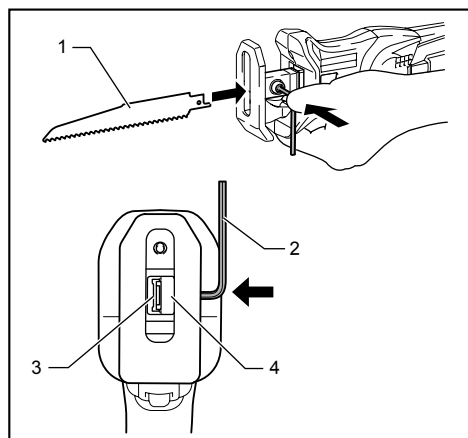
Чтобы снять ножовочное полотно, поверните муфту держателя полотна до конца в направлении стрелки. Ножовочное полотно вынимается, а муфта держателя полотна фиксируется в разомкнутом положении.

#### Примечание:

- Если вы вытащили пыльное полотно, не повернув зажимную соединительную муфту до упора, это значит, что муфта не зафиксирована. В этом случае снова поверните зажимную соединительную муфту до упора и убедитесь, что она зафиксировалась в открытом положении.

#### Для моделей DJR145, DJR185

##### Рис.9

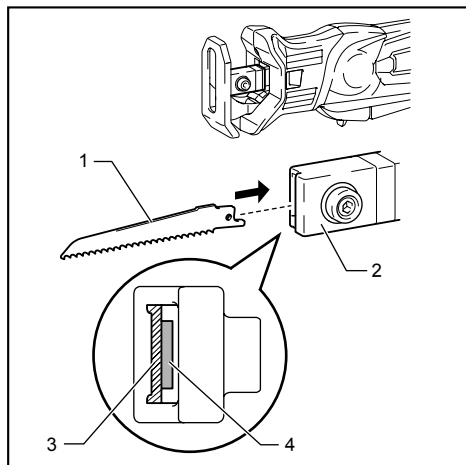


1. Полотно для сабельных пил
2. Шестигранный ключ
3. Отверстие для полотна для сабельных пил
4. Зажим лезвия

014048

Для установки полотна пилы ослабьте болт шестигранным ключом.

При установке полотна для сабельных пил нажмите на болт шестигранным ключом, чтобы открыть паз в момент установки полотна.



1. Пильный диск
  2. Зажим лезвия
  3. Отверстие для полотна для сабельных пил
  4. Отверстие для полотна лобзика
- 014047

##### Рис.10

В зависимости от типа работ можно использовать полотно лобзика (тип В) или полотно для сабельных пил. Вставьте полотно пилы в зажим и затяните шестигранным ключом. Слегка потяните за полотно, чтобы убедиться, что оно не выпадет во время работы. Для снятия полотна пилы повторите процедуру установки в обратном порядке.

#### Хранение шестигранного ключа

##### Рис.11

Когда шестигранный ключ не используется, храните его, как показано на рисунке, чтобы не потерять.

## ЭКСПЛУАТАЦИЯ

#### ⚠ ПРЕДУПРЕЖДЕНИЕ:

- При работе всегда крепко прижимайте башмак к обрабатываемой детали. Если при работе держать башмак на расстоянии от обрабатываемой детали, это может привести к сильной вибрации и/или скручиванию, при этом полотно будет опасно захватываться.
- При резке металла всегда надевайте перчатки для защиты рук от горячей летящей стружки.
- Обязательно надевайте соответствующие средства защиты глаз, соответствующие действующим национальным стандартам.



- При резке металла всегда пользуйтесь подходящей охлаждающей жидкостью (масло для резки). Несоблюдение данного предупреждения приведет к преждевременному износу полотна.
- Полотна для сабельных пил
- Полотна лобзика (только для моделей DJR145, DJR185)
- Оригинальный аккумулятор и зарядное устройство Makita

#### Рис.12

Хорошо прижимайте башмак к распиливаемой детали. Не допускайте отскока инструмента. В начале резки не прижимайте сильно полотно пилы к детали. Сначала сделайте пробный разрез с небольшой скоростью. Затем увеличьте число оборотов и продолжите распиливание.

#### Рис.13

#### Рис.14

- В зависимости от типа работ можно использовать рычаг или курковый выключатель.

#### Примечание:

- Если инструмент эксплуатировался непрерывно до разряда блока аккумуляторов, сделайте перерыв на 15 минут перед началом работы с заряженным аккумулятором.

#### Примечание:

- Некоторые элементы списка могут входить в комплект инструмента в качестве стандартных приспособлений. Они могут отличаться в зависимости от страны.

## ТЕХОБСЛУЖИВАНИЕ

### ⚠ ПРЕДУПРЕЖДЕНИЕ:

- Перед проведением проверки или работ по техобслуживанию, всегда проверяйте, что инструмент выключен, а блок аккумуляторов вынут.
- Запрещается использовать бензин, лигроин, растворитель, спирт и т.п. Это может привести к изменению цвета, деформации и появлению трещин.

Для обеспечения БЕЗОПАСНОСТИ и НАДЕЖНОСТИ оборудования, ремонт, любое другое техобслуживание или регулировку необходимо производить в уполномоченных сервис-центрах Makita, с использованием только сменных частей производства Makita.

## ДОПОЛНИТЕЛЬНЫЕ ПРИНАДЛЕЖНОСТИ

### ⚠ ПРЕДУПРЕЖДЕНИЕ:

- Эти принадлежности или насадки рекомендуется использовать вместе с вашим инструментом Makita, описанным в данном руководстве. Использование каких-либо других принадлежностей или насадок может представлять опасность получения травм. Используйте принадлежность или насадку только по указанному назначению.

Если вам необходимо содействие в получении дополнительной информации по этим принадлежностям, свяжитесь со своим местным сервис-центром Makita.

## УКРАЇНСЬКА (Оригінальні інструкції)

### Пояснення до загального виду

1-1. Червоний індикатор	4-3. Важіль вимикача	8-2. Муфта затиску полотна
1-2. Кнопка	4-4. Кнопка вимикача	9-1. Шестигранний ключ
1-3. Касета з акумулятором	5-1. Ліхтар	9-2. Болт
2-1. Маркувальна зірочка	6-1. Шестигранний ключ	9-3. Послабити
3-1. Індикаторні лампи	6-2. Болт із шестигранною голівкою	9-4. Затягнути
3-2. Кнопка ПЕРЕВІРКА	6-3. Послабити	11-1. Шестигранний ключ
4-1. Кнопка блокування вимкненого положення	7-1. Полотно ножівки	11-2. Виступ
4-2. Розчіплюючий важіль	7-2. Муфта затиску полотна	
	8-1. Диск пили	

## ТЕХНІЧНІ ХАРАКТЕРИСТИКИ

Модель		DJR143	DJR145	DJR183	DJR185
Довжина ходу		13 мм			
Ходів за хвилину (хв <sup>-1</sup> )		0 - 3000			
Макс. ріжуча спроможність	Труба	50 мм			
	Деревина	50 мм			
Стандартна касета з акумулятором		BL1415 / BL1415N / BL1430 / BL1430B / BL1440 / BL1450 / BL1460B		BL1815 / BL1815N / BL1820 / BL1820B / BL1830 / BL1830B / BL1840 / BL1840B / BL1850 / BL1850B / BL1860B	
Загальна довжина		392 мм (у разі з BL1415 / BL1415N)		392 мм (у разі з BL1815 / BL1815N / BL1820 / BL1820B)	
		397 мм (у разі з BL1430 / BL1430B / BL1440 / BL1450 / BL1460B)		398 мм (у разі з BL1830 / BL1830B / BL1840 / BL1840B / BL1850 / BL1850B / BL1860B)	
Чиста вага		1,5 кг (у разі з BL1415 / BL1415N)		1,5 кг (у разі з BL1815 / BL1815N / BL1820 / BL1820B)	
		1,7 кг (у разі з BL1430 / BL1430B / BL1440 / BL1450 / BL1460B)		1,8 кг (у разі з BL1830 / BL1830B / BL1840 / BL1840B / BL1850 / BL1850B / BL1860B)	
Номінальна напруга		14,4 В пост. струму		18 В пост. струму	

• Через те, що ми не припиняємо програми досліджень і розвитку, наведені тут технічні характеристики можуть бути змінені без попередження.

• Технічні характеристики приладу та касета з акумулятором можуть відрізнятися в різних країнах.

• Вага разом з касетою з акумулятором відповідно до EPTA-Procedure 01/2003

ENE020-1

### Призначення

Інструмент призначено для різання деревини, пластмаси та металу.

ENG905-1

### Шум

Рівень шуму за шкалою А у типовому виконанні, визначений відповідно до EN60745:

#### Модель DJR143, DJR185

Рівень звукового тиску ( $L_{pA}$ ): 76 дБ (А)

Похибка (К): 3 дБ (А)

Рівень шуму під час роботи може перевищувати 80 дБ (А).

#### Модель DJR145, DJR183

Рівень звукового тиску ( $L_{pA}$ ): 77 дБ (А)

Похибка (К): 3 дБ (А)

Рівень шуму під час роботи може перевищувати 80 дБ (А).

### Користуйтеся засобами захисту слуху

ENG900-1

### Вібрація

Загальна величина вібрації (сума трьох векторів) визначена згідно з EN60745:

#### Модель DJR143, DJR145

Режим роботи: пиляння дощок

Вібрація ( $a_{h,B}$ ): 7,0 м/с<sup>2</sup>

Похибка (К): 1,5 м/с<sup>2</sup>

Режим роботи: різання дерев'яних балок

Вібрація ( $a_{h,WB}$ ): 7,0 м/с<sup>2</sup>

Похибка (К): 1,5 м/с<sup>2</sup>

**Модель DJR183, DJR185**

Режим роботи: пиляння дощок

Вібрація ( $a_{h,v}$ ): 8,0 м/с<sup>2</sup>Похибка (K): 1,5 м/с<sup>2</sup>

Режим роботи: різання дерев'яних балок

Вібрація ( $a_{h,vb}$ ): 7,0 м/с<sup>2</sup>Похибка (K): 1,5 м/с<sup>2</sup>

ENG901-1

- Заявлене значення вібрації було виміряно у відповідності до стандартних методів тестування та може використовуватися для порівняння одного інструмента з іншим.
- Заявлене значення вібрації може також використовуватися для попередньої оцінки впливу.

**⚠ УВАГА:**

- Залежно від умов використання вібрація під час фактичної роботи інструмента може відрізнитися від заявленого значення вібрації.
- Забезпечте належні запобіжні заходи для захисту оператора, що відповідатимуть умовам використання інструмента (слід брати до уваги всі складові робочого циклу, такі як час, коли інструмент вимкнено та коли він починає працювати на холостому ході під час запуску).

ENH101-17

Тільки для країн Європи

**Декларація про відповідність стандартам ЄС**

Компанія Makita наголошує на тому, що обладнання:

Позначення обладнання:

Бездротова ножівка

№ моделі/тип: DJR143, DJR145, DJR183, DJR185

Відповідає таким Європейським Директивам:  
2006/42/EC

Обладнання виготовлене відповідно до таких стандартів або стандартизованих документів:

EN60745

Технічну інформацію відповідно до 2006/42/EC можна отримати:

Makita, Jan-Baptist Vinkstraat 2, 3070, Бельгія

31.12.2013



Ясуші Фукайя  
Директор

000331

Makita, Jan-Baptist Vinkstraat 2, 3070, Бельгія

**Застереження стосовно техніки безпеки при роботі з електроприладами**

**⚠ УВАГА!** Прочитайте усі застереження стосовно техніки безпеки та всі інструкції. Недотримання даних застережень та інструкцій може призвести до ураження струмом та виникнення пожежі та/або серйозних травм.

**Збережіть усі інструкції з техніки безпеки та експлуатації на майбутнє.**

GEB048-2

**ПОПЕРЕДЖЕННЯ ПРО НЕБЕЗПЕКУ ПІД ЧАС РОБОТИ З БЕЗДРОТОВОЮ ШАБЕЛЬНОЮ ПИЛОЮ**

1. Тримайте електроприлад за ізольовані поверхні держака під час виконання дії, за якої він може зачепити сховану електропроводку. Торкання ріжучим приладом струмоведучої проводки може призвести до передання напруги до оголених металевих частин інструмента та ураженню оператора електричним струмом.
2. За допомогою лещат або інших затискових пристроїв слід надійно закріпити деталь на стійкій платформі. Утримання деталі руками або тілом не фіксує деталі та може призвести до втрати контролю.
3. Слід завжди одягати захисні окуляри або лінзи. Звичайні окуляри або темні окуляри для захисту від сонця НЕ Є захисними окулярами.
4. Слід уникати різання цвяхів. Перед початком роботи огляньте та заберіть усі цвяхи з деталі.
5. Не слід різати занадто великі деталі.
6. Перед початком різання обов'язково перевірте, щоб нижче деталі був належний зорор для того, щоб полотно не вдарилося о підлогу, верстат і т.д.
7. Міцно тримайте інструмент.
8. Перевірте, щоб полотно не торкалося деталі до його увімкнення.
9. Тримай руки на відстані від рухомих частин.
10. Не залишайте інструмент працюючим. Працюйте з інструментом тільки тоді, коли тримаєте його в руках.
11. Обов'язково після вимкнення інструменту заждіть доки полотно не зупиниться повністю, та лише тоді знімайте його з деталі.

12. Не торкайся полотна або деталі одразу після різання, вони можуть бути дуже гарячими та призвести до опіку шкіри.
13. Не слід дуже довго залишати інструмент працювати на холостому ході.
14. Завжди використовуйте пилозахисну маску/респіратор що відповідають області застосування та матеріалу, що ви обробляєте.
15. Деякі матеріали мають у своєму складі токсичні хімічні речовини. Будьте уважні, щоб запобігти вдихання пилу та контактів зі шкірою. Дотримуйтеся правил техніки безпеки виробника матеріалу .

## ЗБЕРІГАЙТЕ ЦІ ВКАЗІВКИ.

### ⚠УВАГА:

НИКОЛИ НЕ СЛІД втрачати пильності та розслаблюватися під час користування виробом (що трапляється при частому використанні); слід завжди строго дотримуватися правил безпеки під час використання цього пристрою. **НЕНАЛЕЖНЕ ВИКОРИСТАННЯ** або недотримання правил безпеки, викладених в цьому документі, може призвести до серйозних травм.

ENC007-9

## ВАЖЛИВІ ІНСТРУКЦІЇ БЕЗПЕКИ ДЛЯ КАСЕТИ АКУМУЛЯТОРА

1. Перед тим як користуватися касетою акумулятора, слід прочитати усі інструкції та попереджуючі відмітки щодо (1) зарядний пристрій акумулятора, (2) акумулятор та (3) виробу, що працюють від акумулятора.
2. Не слід розбирати касету акумулятора.
3. Якщо період роботи дуже покоротшав, слід негайно припинити користування. Це може призвести до ризику перегріву, опіку та навіть вибуху.
4. Якщо електроліт потрапив до очей, слід промити їх чистою водою та негайно звернутися за медичного закладу. Це може призвести до втрати зору.
5. Не закоротіть касету акумулятора.
  - (1) Не слід торкатися клем будь яким струмопровідним матеріалом.
  - (2) Не слід зберігати касету акумулятора в ємності з іншими металевими предметами, такими як цвяхи, монети і т.д.
  - (3) Не виставляйте касету з батареєю під дощ чи сніг.

- Коротке замикання може призвести до появи значного струму, перегріву та можливим опікам та навіть поломки.
6. Не слід зберігати інструмент та касету з акумулятором в містах, де температура може сягнути та перевищити 50гр. ° C (122 ° F).
7. Не слід спалювати касету з акумулятором навіть, якщо вона була неодноразово пошкоджена або повністю спрацьована. Касета з акумулятором може вибухнути в огні.
8. Не слід кидати або ударяти акумулятор.
9. Не слід використовувати пошкоджений акумулятор.
10. Дотримуйтеся норм місцевого законодавства стосовно утилізації акумуляторів.

## ЗБЕРІГАЙТЕ ЦІ ВКАЗІВКИ.

### Поради по забезпеченню максимального строку експлуатації акумулятора

1. Касету з акумулятором слід заряджати до того, як він розрядиться повністю. Завжди слід зупинити роботу інструменту та зарядити акумулятор, якщо ви помітили зменшення потужності інструменту.
2. Ніколи не слід заряджати повторно повністю заряджену касету з акумулятором.  
Перезарядження скорочує строк експлуатації акумулятора.
3. Касету з акумулятором слід заряджати при кімнатній температурі 10 ° C - 40 ° C (50 ° F - 104 ° F). Перед тим як заряджати касету з акумулятором слід зачекати доки вона охолоне.
4. Якщо Ви не користувалися касетою з акумулятором упродовж тривалого часу (більше шести місяців), її необхідно зарядити.

# ІНСТРУКЦІЯ З ВИКОРИСТАННЯ

## ⚠ОБЕРЕЖНО:

- Завжди перевіряйте, щоб прилад був вимкнений, а касета з акумулятором була знята, перед регулюванням або перевіркою функціонування інструмента.

## Встановлення та зняття касети з акумулятором

### мал.1

## ⚠ОБЕРЕЖНО:

- Завжди вимикайте інструмент перед встановленням або зніманням касети з акумулятором.
- Під час встановлення або зняття касети з акумулятором надійно утримуйте інструмент і касету з акумулятором. Інакше інструмент або касета з акумулятором можуть вислизнути з рук, що може призвести до травм або пошкодження інструмента й касети з акумулятором.

Щоб зняти касету з акумулятором, слід витягнути її з інструмента, натиснувши на кнопку в передній частині касети.

Щоб установити касету з акумулятором, слід сумістити шпонку касети з акумулятором із пазом у корпусі та вставити касету на місце. Уставляйте її, доки не почуєте клацання. Якщо на верхній частині кнопки видно червоний індикатор, це означає, що вона заблокована не повністю.

## ⚠ОБЕРЕЖНО:

- Завжди уставляйте касету повністю, аж поки червоний індикатор стане невидимим. Якщо цього не зробити, касета може випадково випасти з інструмента та завдати травми вам або людям, що знаходяться поруч.
- Не встановлюйте касету з акумулятором із зусиллям. Якщо касета не вставляється легко, то це означає, що Ви її невірно вставляєте.

## Система захисту акумулятора (літій-іонний акумулятор з маркувальною зірочкою)

### мал.2

Літій-іонні акумулятори з маркувальною зірочкою оснащені системою захисту. Ця система автоматично вимикає живлення інструмента з метою збільшення робочого часу акумулятора.

Інструмент буде автоматично вимкнений під час роботи, якщо він та/або акумулятор знаходяться в таких умовах:

- Перенавантаження:  
Інструмент споживає струм занадто високої потужності під час роботи.  
У такому разі відпустіть важіль/курок перемикача, розташований на інструменті,

та припиніть роботу, що призвела до перенавантаження інструмента. Щоб знову запустити інструмент, ще раз натисніть на важіль/курок перемикача.

Якщо інструмент неможливо запустити, це означає, що акумулятор перегрівся. У такому разі дозвольте акумулятору охолонути, перш ніж знову натиснути на важіль/курок перемикача.



















- Низька напруга акумулятора:  
Залишковий заряд акумулятора занадто низький, тому інструмент не буде працювати. У такому разі зніміть та зарядіть акумулятор.

## Відображення залишкового заряду акумулятора

(Тільки для касети з акумулятором, номер моделі якої закінчується літерою "B".)

### мал.3

Натисніть кнопку перевірки залишкового заряду акумулятора на касеті з акумулятором, щоб відобразити залишковий заряд акумулятора. Індикатори горітимуть декілька секунд.

Індикаторні лампи			Залишковий заряд
 Горить	 ВИМК.	 Мигає	
			75 % - 100 %
			50 % - 75 %
			25 % - 50 %
			0 % - 25 %
			Зарядіть акумулятор.
			Можливо, виникли проблеми в роботі акумулятора.
			

015658

## ПРИМІТКА:

- Залежно від умов використання та температури оточуючого середовища показання можуть незначним чином відрізнятися від дійсного ресурсу.

## Дія вимикача

## ⚠ОБЕРЕЖНО:

- Перед тим як вставляти касету з акумулятором в інструмент, слід перевірити належну роботу важеля/курка перемикача, тобто щоб він повертався у положення "OFF" (ВИМК.), коли його відпущено.

#### мал.4

Для того щоб запобігти випадковому натисканню важеля/курка перемикача, передбачена кнопка/важіль блокування вимкненого положення.

Для того щоб запустити інструмент, слід просто натиснути на важіль або курок перемикача.

- Щодо важеля перемикача, для того щоб запустити інструмент, натисніть на важіль блокування вимкненого положення, а потім натисніть на важіль перемикача.
- Щодо курка перемикача, для того щоб запустити інструмент, відіжміть кнопку блокування вимкненого положення, а потім натисніть на курок перемикача. Кнопку блокування вимкненого положення можна натиснути зліва чи справа.

Швидкість обертання інструмента збільшується шляхом збільшення тиску на важіль/курок перемикача. Для зупинення роботи важіль/курок слід відпустити.

#### ПРИМІТКА:

Не можна із силою натискати на важіль/курок перемикача, не натиснувши на кнопку/важіль блокування вимкненого положення. Це може призвести до поломки перемикача.

#### Увімкнення переднього підсвічування

#### мал.5

#### ⚠ОБЕРЕЖНО:

- Не дивіться на світло або безпосередньо на джерело світла.

Потягніть важіль/курок перемикача, щоб увімкнути підсвічування. Підсвічування горітиме, доки натиснуто важіль/курок перемикача.

Підсвічування автоматично вимикається через 10-15 секунд після того, як важіль/курок перемикача було відпущено.

#### Регулювання башмака

#### мал.6

Коли полотно втрачає свою ріжучу спроможність в одному місці на ріжучій кромці, слід змінити положення башмака, щоб використовувати гостру та невикористану частину ріжучої кромки. Це дасть можливість подовжити термін служби полотна.

Для того щоб змінити положення башмака, послабте болт за допомогою шестигранного ключа. Пересуньте башмак у необхідне положення, після чого міцно затягніть болт.

## КОМПЛЕКТУВАННЯ

#### ⚠ОБЕРЕЖНО:

- Завжди перевіряйте, щоб прилад був вимкнений, а касета з акумулятором була знята, перед тим, як проводити будь-які роботи на інструменті.

## Встановлення та зняття полотна пили

#### ⚠ОБЕРЕЖНО:

- Завжди здійснюйте чистку полотна, затиску полотна та/або повзунка від стружки або сторонніх речовин. Невиконання цієї умови може призвести до недостатнього затягування полотна, що може спричинити серйозні травми.

#### Для моделі DJR143, DJR183

#### мал.7

Уставте полотно ножівки у затиск полотна до упору. Муфта затиску полотна повернеться та зафіксує полотно. Переконайтеся, що полотно навіть у разі здійснення наполегливої спроби неможливо витягнути.

#### ⚠ОБЕРЕЖНО:

- Якщо полотно вставити недостатньо глибоко, то воно може несподівано вискочити під час роботи. Це дуже небезпечно.

#### ПРИМІТКА:

- З DJR143 або DJR183 Ви не можете використовувати лобзикове полотно.

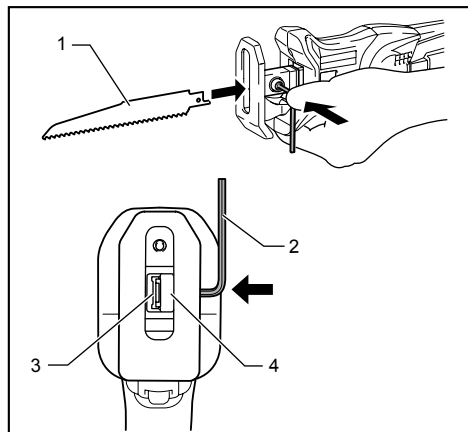
#### мал.8

Для зняття полотна слід до упору повернути муфту затиску полотна у напрямку, що вказаний стрілкою. Полотно знімається, а муфта затиску фіксується у розблокованому положенні.

#### ПРИМІТКА:

- Якщо полотно знімати не повернувши до упору муфту затиску полотна, то муфту буде неможливо зафіксувати. В такому випадку слід до упору повернути затиск полотна, а потім зафіксувати муфту в розблокованому положенні.

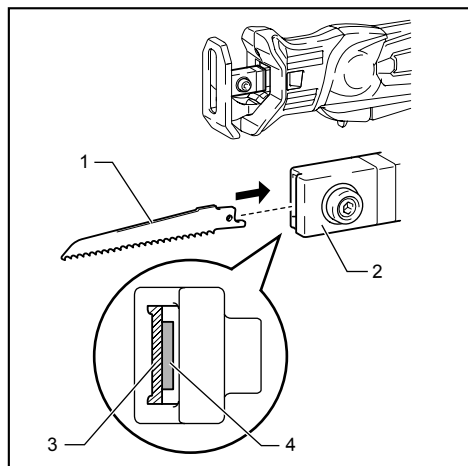
мал.9



1. Полотно ножівки
2. Шестигранний ключ
3. Отвір для полотна ножівки
4. Затиск полотна

014048

Для того щоб встановити полотно, за допомогою шестигранного ключа слід послабити болт. Під час установа полотна ножівки за допомогою шестигранного ключа слід натиснути на болт, щоб відкрити отвір і вставити полотно.



1. Диск пили
2. Затиск полотна
3. Отвір для полотна ножівки
4. Отвір для лобзикового полотна

014047

мал.10

Під час роботи ви можете використовувати як лобзикові полотна (тип В), так і полотна ножівки. Прямо уставьте полотно в затиск полотна та закріпіть його, використовуючи шестигранний ключ. Злегка потягніть полотно, щоб переконатися у тому, що воно триматиметься міцно під час експлуатації. Для того щоб зняти полотно, виконайте процедуру його встановлення у зворотному порядку.

### Зберігання шестигранного ключа

мал.11

Коли шестигранний ключ не використовується, щоб він не загубився, його слід зберігати як показано на малюнку.

## ЗАСТОСУВАННЯ

### ⚠ОБЕРЕЖНО:

- Під час роботи слід міцно притискати башмак до деталі. Якщо башмак не торкається деталі під час роботи, то це призведе до сильної вібрації та/або скручування, та до небезпечного заїдання полотна.
- Слід завжди вдягати рукавички для захисту рук від гарячої тирси, що розлітається під час різання металу.
- Слід завжди вдягати засоби для захисту очей, що відповідають належним місцевим стандартам.
- Під час різання металу завжди застосовуйте відповідний охолоджувач (охолоджувальне мастило). Невиконання цієї умови може спричинити до передчасного зношення полотна.

мал.12

Щільно притисніть башмак до деталі. Не дозволяйте інструменту дрижати. Злегка торкніться полотном деталі. Спочатку зробіть контрольний пропил із повільнішою швидкістю. А потім продовжуйте пиляння із більшою швидкістю.

мал.13

мал.14

- Під час роботи ви можете користуватися або курком, або важелем перемикача.

### ПРИМІТКА:

- Якщо інструмент експлуатується постійно, доки не розрядиться касета з акумулятором, то перед тим, як встановлювати новий акумулятор, інструментові треба дати відпочити протягом 15 хвилин.

## ТЕХНІЧНЕ ОБСЛУГОВУВАННЯ

### **⚠ОБЕРЕЖНО:**

- Завжди перевіряйте, щоб прилад був вимкнений, а касета з акумулятором була знята, перед проведенням перевірки або обслуговування.
- Ніколи не використовуйте газолін, бензин, розріджувач, спирт та подібні речовини. Їх використання може призвести до зміни кольору, деформації та появи тріщин.

Для того, щоб підтримувати БЕЗПЕКУ та НАДІЙНІСТЬ, ремонт, технічне обслуговування або регулювання мають виконувати уповноважені центри обслуговування "Макіта", де використовуються лише стандартні запчастини "Макіта".

## ДОДАТКОВЕ ПРИЛАДДЯ

### **⚠ОБЕРЕЖНО:**

- Це оснащення або приладдя рекомендовано для використання з інструментами "Макіта", що описані в інструкції з експлуатації. Використання якогось іншого оснащення або приладдя може спричинити травмування. Оснащення або приладдя слід використовувати лише за призначенням.

У разі необхідності, отримати допомогу в більш детальному ознайомленні з оснащенням звертайтеся до місцевого Сервісного центру "Макіта".

- Полотна ножівки
- Лобзикові полотна (тільки для моделі DJR145, DJR185)
- Оригінальний акумулятор та заряджаючий пристрій Makita

### **ПРИМІТКА:**

- Деякі елементи списку можуть входити до комплекту інструмента як стандартне приладдя. Вони можуть відрізнятися залежно від країни.



---

---

---

---

---

---

---

---

---

---

---

---

---

---

---

---

---

---

---

---

---

---

---

---

---

---

---

---

---

---

---

---

---

---

---

---

---

---

---

---

---

---

---

---

---

---

---

---

---

---

---

---



**Makita** Jan-Baptist Vinkstraat 2, 3070, Belgium  
**Makita Corporation** Anjo, Aichi, Japan